

ABOUT THIS PARTS LIST

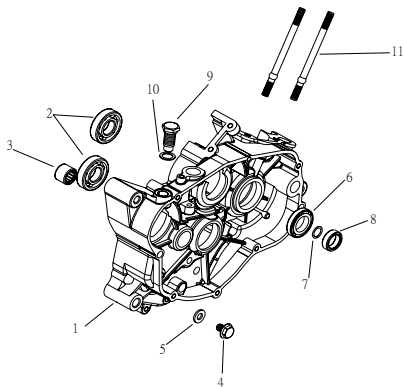
- THIS PARTS LIST IS COMPILED FOR ALL SERVICE PARTS FOR MODEL **ENDURO 50C.C. SERIES.**
- ANY DIFFERENCE BETWEEN COLOR CHART AND MOTORCYCLE WILL BE REVISED ACCORDING TO MOTORCYCLE.
- WHEN MODIFICATION OR ADDITIONS TO THIS PARTS LIST ARE MADE A REVISED EDITION WILL BE ISSUED AT AN APPROPRIATE TIME.



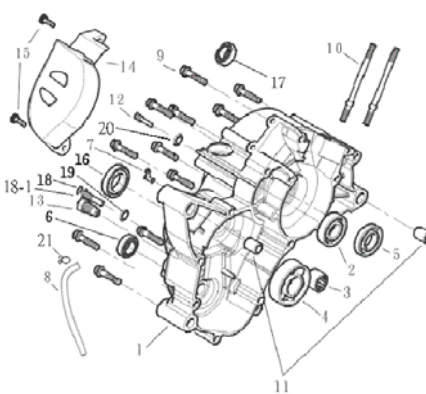
CONTENTS-ENGINE GROUP

ENDURO-50C.C.

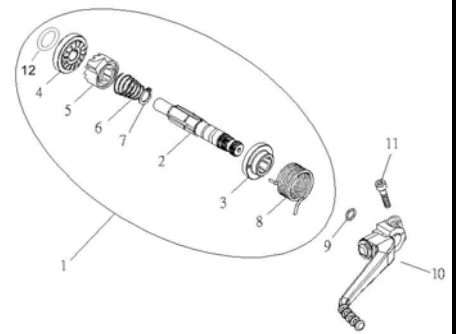
E1 右曲軸箱組件 R.CRANK CASE COMP.



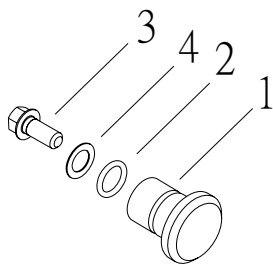
E2 左曲軸箱組件 L. CRANK CASE COMP.



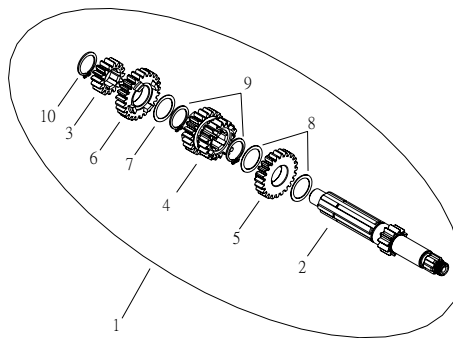
E3 起動踏桿總成 KICK ST. ASSY.



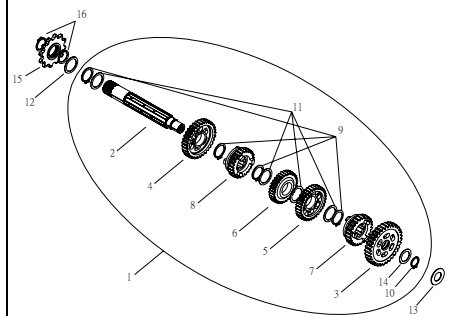
E3-1 起動踏桿塞 NO KICK ST. ASSY.



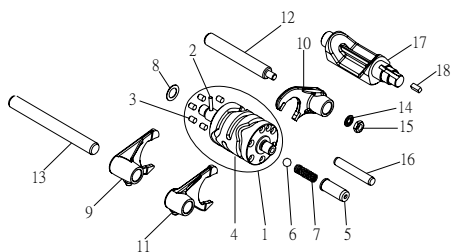
E4 主軸總成 MAIN SHAFT ASSY.



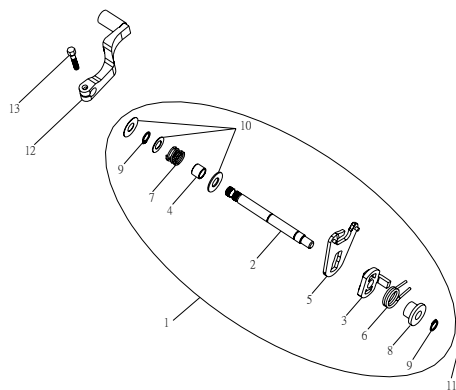
E5 副軸總成 COUNTER SHAFT ASSY.



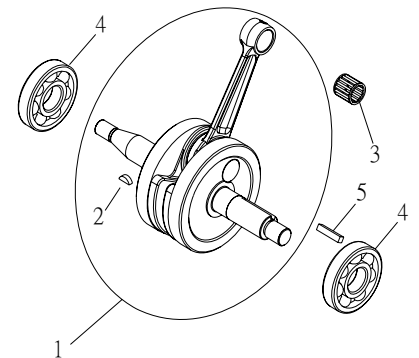
E6 變速筒組件 GEAR SHIFT DRUM



E7 變速軸總成 GEAR SHIFT SPINDLE ASSY.



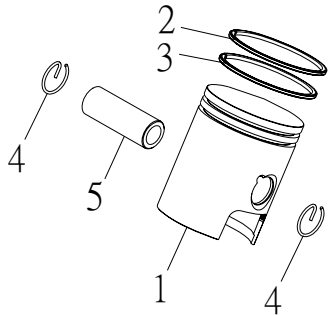
E8 曲軸組件 CRANK SHAFT COMP.



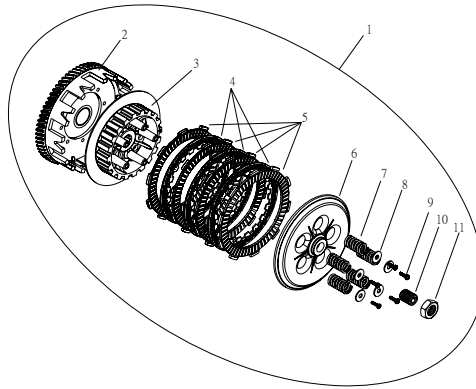
CONTENTS-ENGINE GROUP

ENDURO-50C.C.

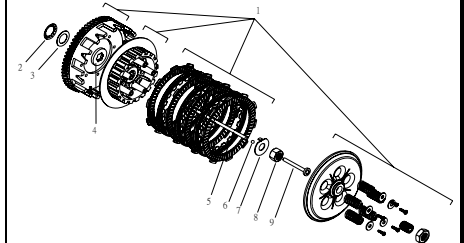
E9 活塞總成 PISTON ASSY.



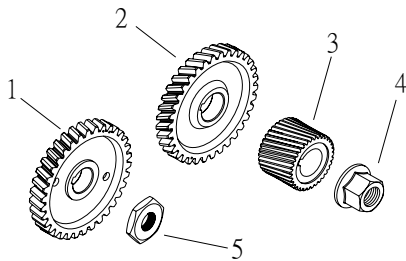
E10 離合器總成 CLUTCH ASSY.



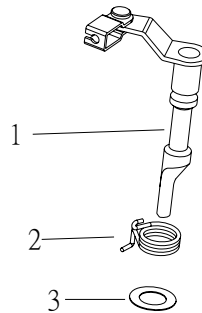
E10-1 離合器 CLUTCH



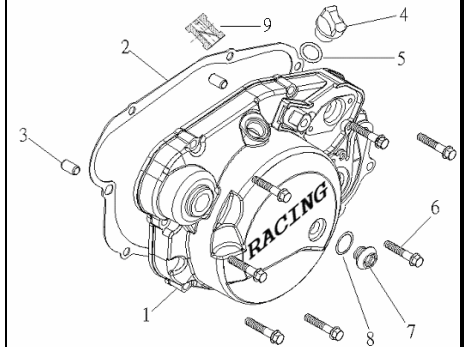
E11 平衡軸驅動/主動齒輪 GEARS



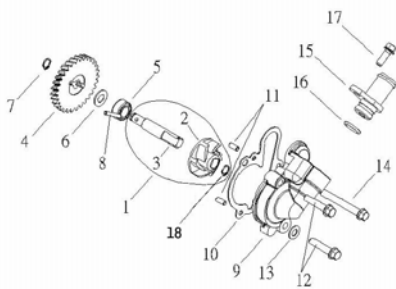
E12 離合器拉桿 CLUTCH LEVER COMP.



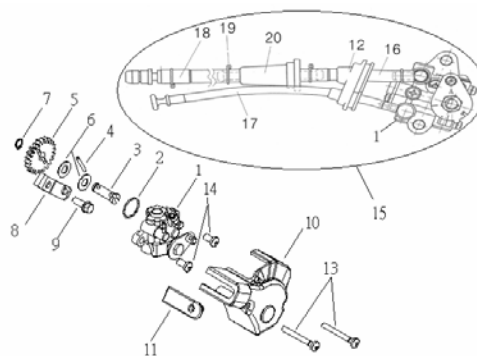
E13 右曲軸箱蓋組件 R. CRANK CASE COVER



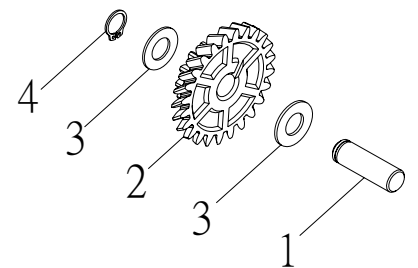
E14 水泵組件 WATER PUMP



E15 油泵組件 OIL PUMP



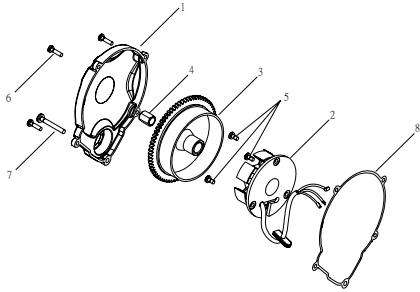
E16 中間軸 IDLE GEAR SHAFT



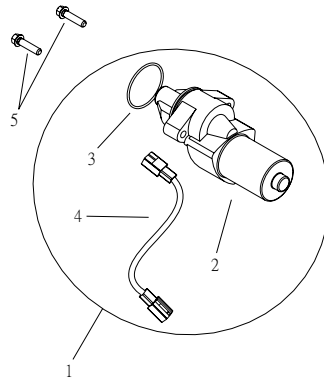
CONTENTS-ENGINE GROUP

ENDURO-50C.C.

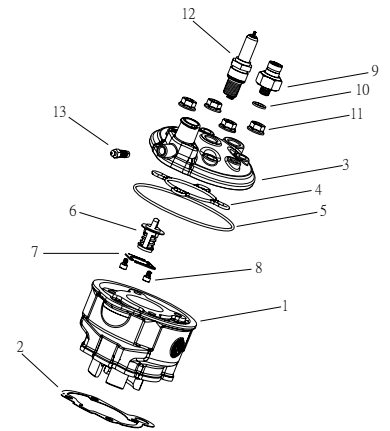
E17 左曲軸箱蓋組件 L. CRANK CASE COVER



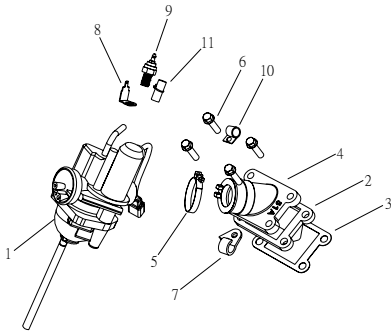
E18 起動馬達總成 STARTER MOTOR ASSY.



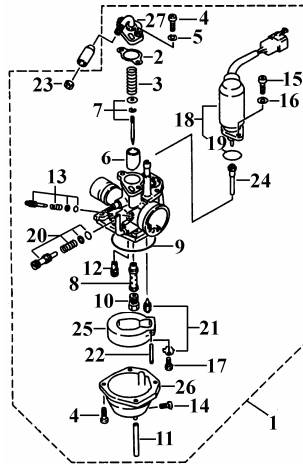
E19 汽缸/汽缸頭 CYLINDER/CYLINDER HEAD



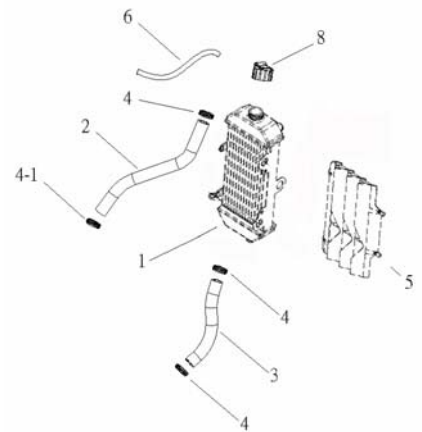
E20 化油器 CARBURETOR



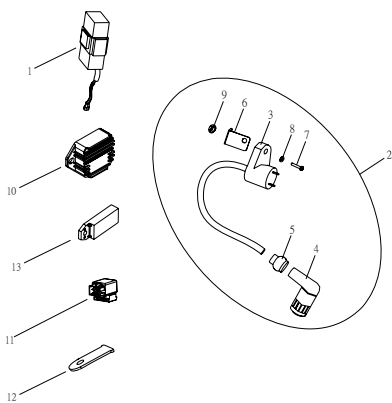
E20-1 化油器總成 CARBURETOR ASSY.



E21 水箱總成 RADIATOR ASSY.



E22 電裝 ELECTRICAL



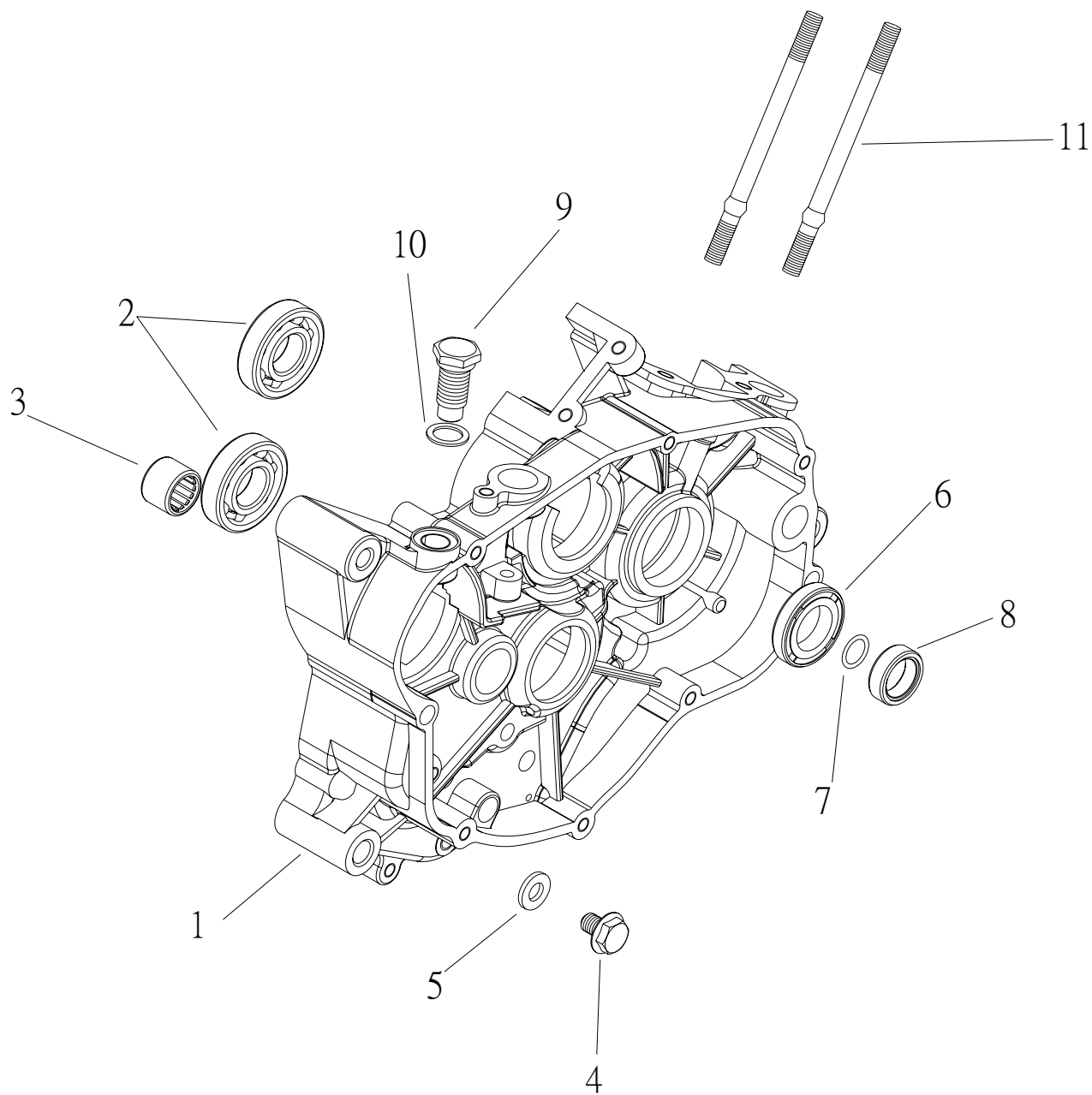
**ENGINE
PARTS LIST
CPI**

51B-0010X-7E-00

E1

右曲軸箱組件 R.CRANK CASE COMP.

ENDURO-50



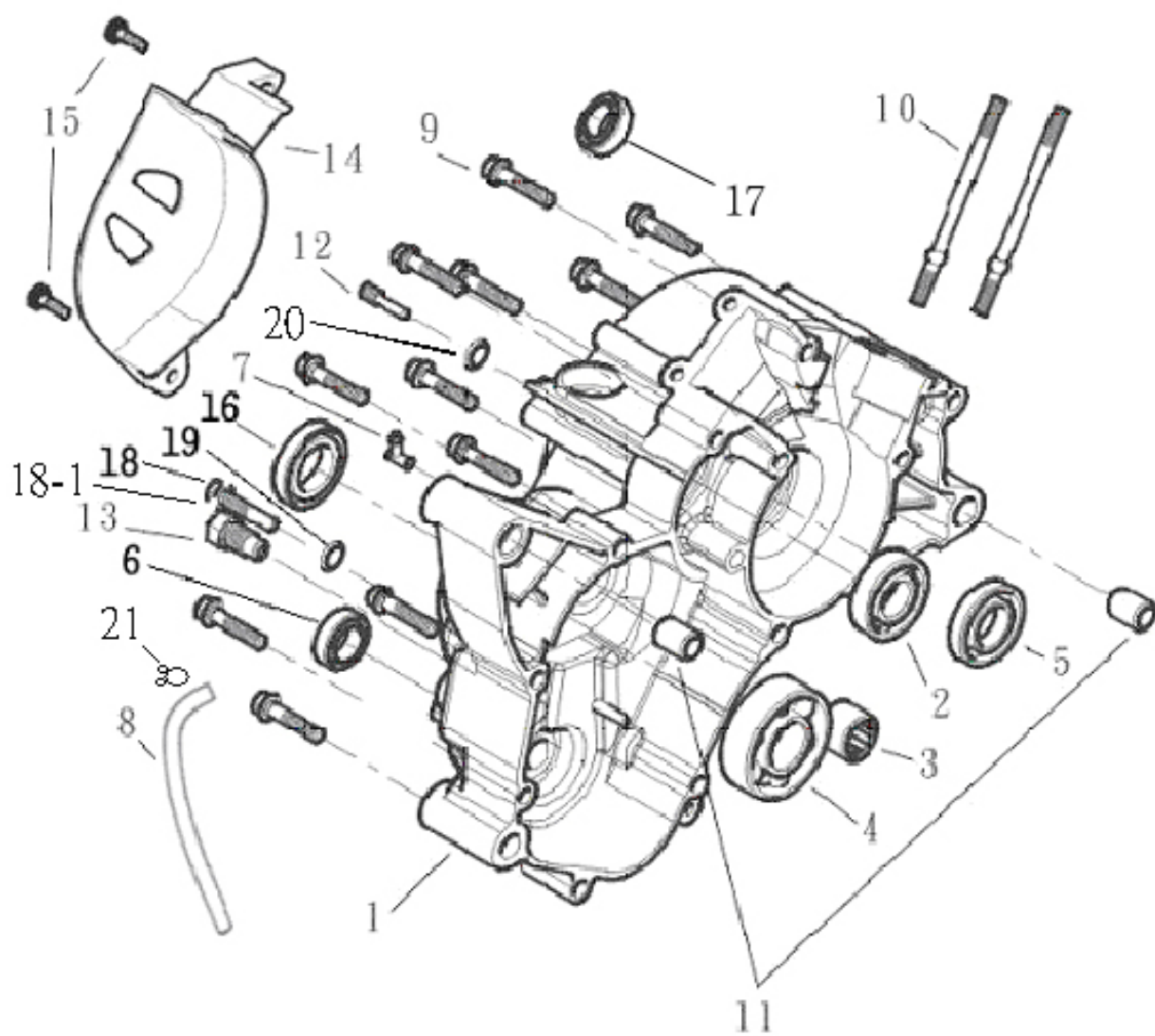
E1**右曲軸箱組件R.CRANK CASE COMP.**

ITEM	PARTS NO.	DESCRIPTION	REQD. NO.	
			ENDUR O 50C.C	
1	51A-01101-10-7E	右曲軸箱 R. CRANK CASE	1	95.9.4 設變
2	S-6120-06203-00	滾珠軸承 6203 BALL BEARING 6203	2	
3	S-6130-01412-70	滾針軸承.14x20x12 NEEDLE BRG. 14x20x12	1	
4	S-5800-08012-01	六角緣面螺絲 M8x12 FLANGE BOLT M8x12	1	
5	S-4101-08165-40	華司 8x16x2.0 WASHER 8x16x2.0	1	
6	S-1201-24035-70	油封 24x35x7 OIL SEAL 24x35x7	1	
7	S-1303-15155-00	油環 15.5X18.5X1.5 O-RING 15.5X18.5X1.5	1	
8	51A-01108-00-00	襯套 16.9x24x8 BUSH 16.9x24x8	1	
9	51A-17142-10-00	起動檔桿 KICK STOPPER BOLT	1	
10	S-4101-12173-40	華司 12x17x1.0 WASHER 12x17x1.0	1	
11	64A-02422-10-00	雙頭螺栓 M7x112 CYLINDER STUD BOLT M7x112	2	

E2

左曲軸箱組件 L. CRANK CASE COMP.

ENDURO-50



E2

左曲軸箱組件L. CRANK CASE COMP.

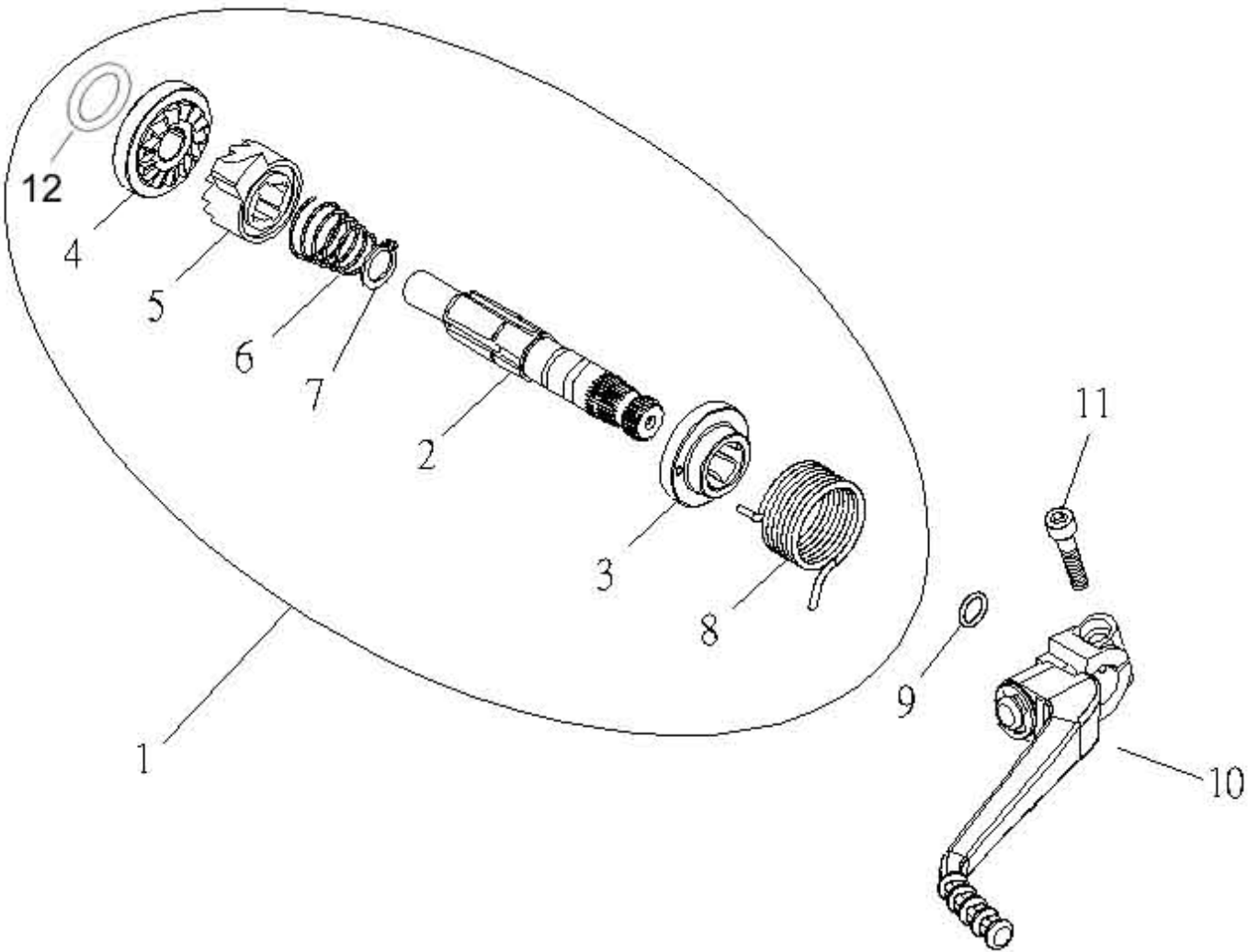
ITEM	PARTS NO.	DESCRIPTION	REQD. NO.	
			ENDURO 50C.C	
1	51A-01201-20-7E	左曲軸箱 L. CRANK CASE	1	
	F04-01201-20-7E	左曲軸箱 (只可用在 30km 版) L. CRANK CASE		
2	S-6120-06202-00	滾珠軸承 6202 BALL BEARING 6202	1	
3	S-6130-01412-70	滾針軸承 14x20x12 NEEDLE BRG. 14x20x12	1	
4	S-6120-06204-00	滾珠軸承 6204 BALL BEARING 6204	1	
5	51A-01281-10-00	油封 17x35x8(耐高溫油封) OIL SEAL 17x35x8	1	
6	S-1201-12022-70	油封 12x22x7 OIL SEAL 12x22x7	1	
7	61A-01231-00-00	通氣管 BEARTHER JOINT	1	
8	B05-52371-00-00	管 HOSE	1	
9	S-6001-06040-01	六角緣面螺栓 M6x40 FLANGE BOLT M6x40	13	
10	64A-02422-10-00	雙頭螺栓 M7x112 CYLINDER STUD BOLT M7x112	2	
11	S-4301-12160-00	定位銷 12x16 DOWEL PIN 12x16	2	
12	51A-11176-00-00	離合器桿固定螺栓 CLUTCH LEVER SETTING SCREW	1	
13	51A-21190-00-00	空檔燈接觸開關總成 NEUTRAL SWITCH CONTACT ASSY.	1	
14	51A-01321-00-00	後蓋 REAR COVER	1	
15	S-3500-05016-03	盤頭螺栓 M5x16 PAN HEAD SEREW M5x16	2	
16	51A-01282-00-00	油封 20x35x7 OIL SEAL 20x35x7	1	
17	S-1201-14024-60	油封 14x24x6 OIL SEAL 14x24x6	1	
18	51A-13264-10-00	斷頭螺絲 (只可用在 30km 版) BOLT (30km)	1	

18-1	S-6700-06008-86	密封螺絲(用於 30km 版改裝無限速版之密封用) M6x8	1	
19	S-4101-06123-40	平面華司 6x12.8x1 (只可用在 30km 版) WASHER (30km)	1	
20	S-4101-05093-40	平面華司 5x9x1. WASHER	1	
21	A-4202-08080-00	止夾 CLIP	1	

E3

起動軸總成 KICK ST. ASSY.

ENDURO-50



E3

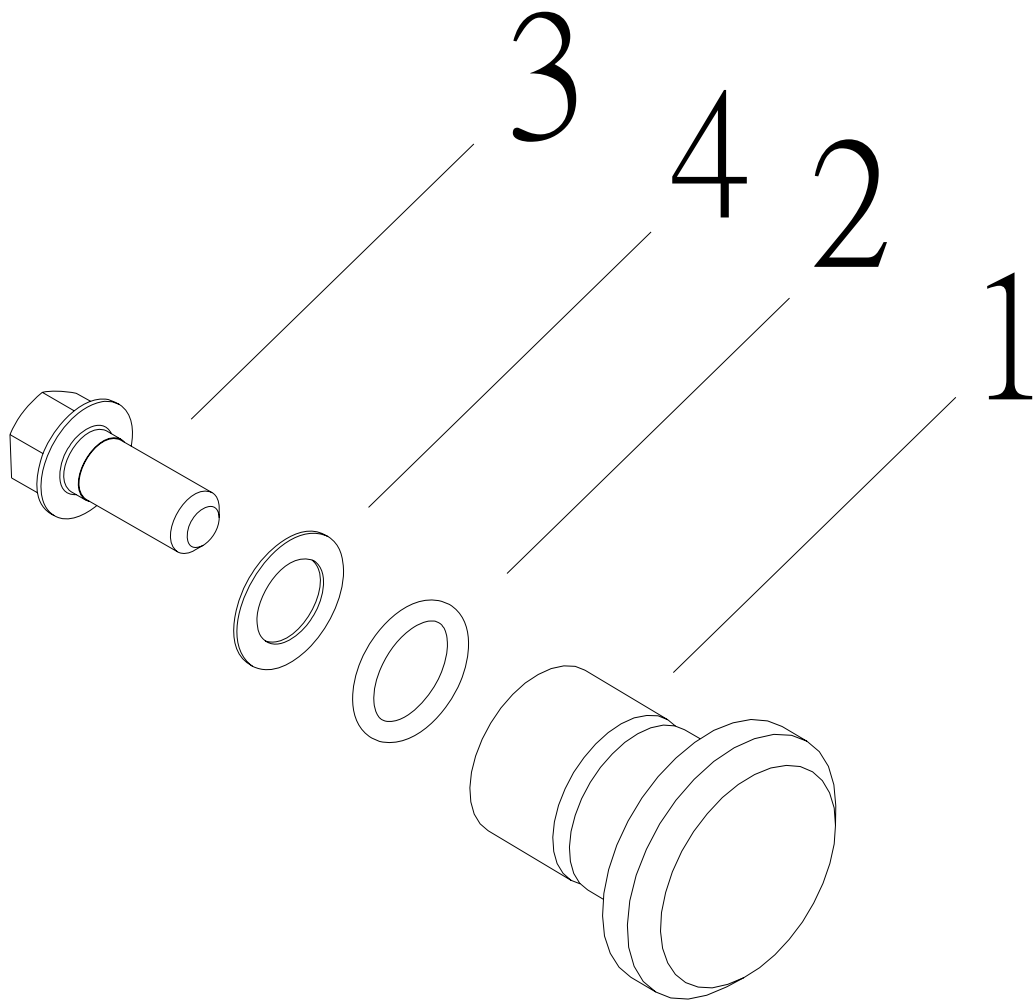
起動軸組件KICK ST. ASSY.

ITEM	PARTS NO.	DESCRIPTION	REQD. NO.	
			ENDURO 50C.C	
1	51A-17120-40-00	起動軸總成 KICK ST. SPINDLE ASSY.	1	96.10.18 設變
2	51A-17131-20-00	起動軸 KICK ST. SPINDLE	1	
3	51A-17133-00-00	起動軸環 KICK SPINDLE STOPPER	1	
4	51A-17134-20-00	起動軸齒輪 KICK ST. PINION	1	
5	51A-17136-00-00	起動軸棘輪 KICK ST. DRIVE RATCHET	1	
6	51A-17139-00-00	起動軸摩擦彈簧 ST. PINION FRICTION SPG.	1	
7	S-4511-12180-00	環夾 18MM CIR-CLIP 18MM	1	
8	51A-17141-00-00	起動軸彈簧 KICK ST. SPG.	1	
9	S-1301-15115-00	O 型環 11.5x14.5x1.5 O-RING 11.5x14.5x1.5	2	
10	51A-17111-00-00	起動踏桿組件 KICK STARTER ARM	1	
11	S-6700-06020-03	六角承窩螺栓 M6x20 SOCKET BOLT M6x20	1	
12	51A-17135-00-00	平面華司 12x18x0.5 WASHER 12x18x0.5	1	96.12.06 新增/修改

E3-1

起動軸孔塞 NO KICK ST.

ENDURO-50



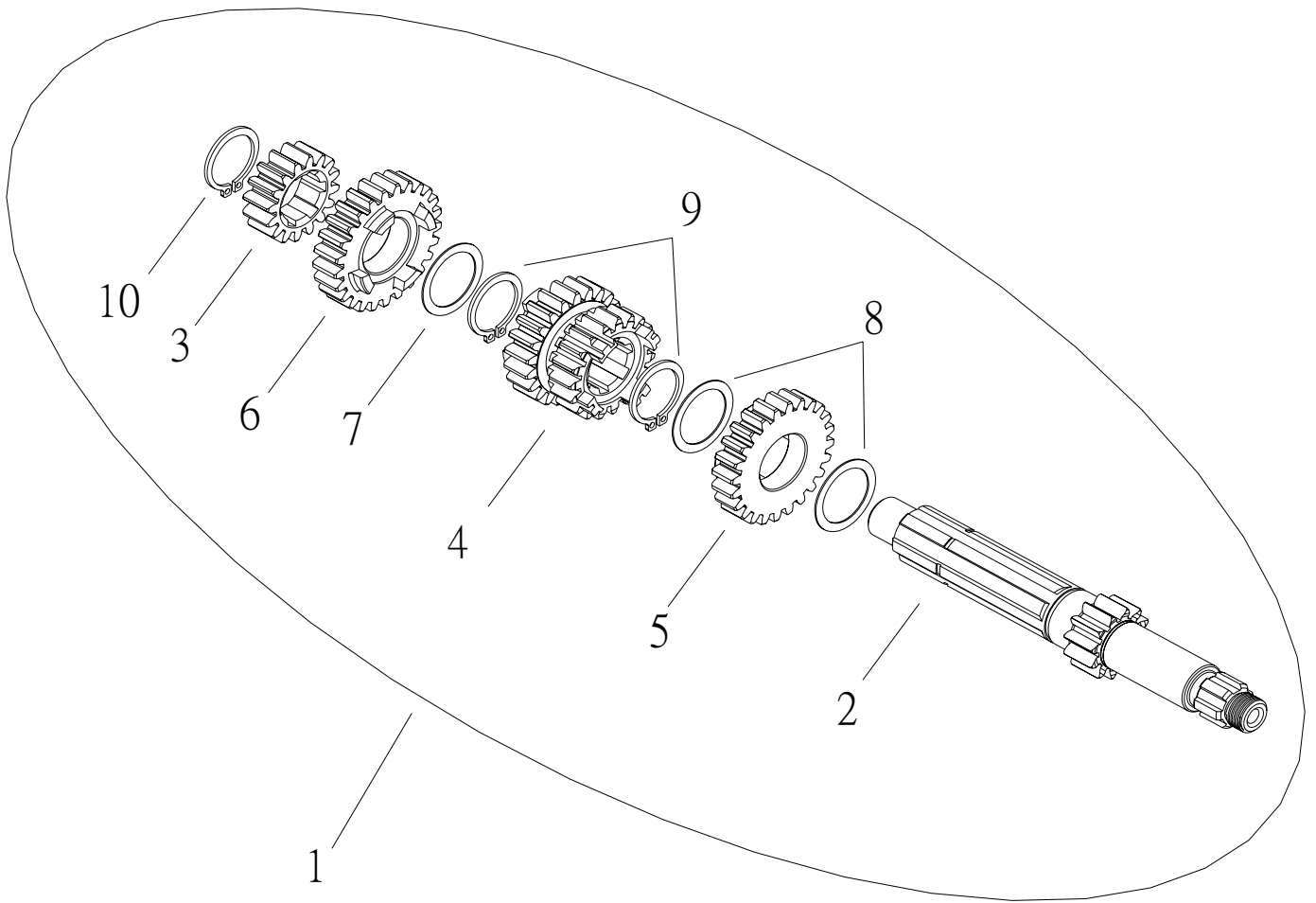
E3-1**起動軸孔塞NO KICK ST. ASSY.**

ITEM	PARTS NO.	DESCRIPTION	REQD. NO.	
			ENDURO 50C.C	
1	51A-01403-00-00	起動軸孔塞 KICK ST. SPINDLE PLUG	1	
2	S-1301-15115-00	O型環 11.5x14.5x1.5 O-RING 11.5x14.5x1.5	1	
3	S-5800-08016-03	六角緣面螺栓 M8x16 FLANGE BOLT Screw M8x16	1	
4	S-4101-08184-21	平面華司 8x18x1.5 WASHER 8x18x1.5	1	

E4

主軸總成 MAIN SHAFT ASSY.

ENDURO-50



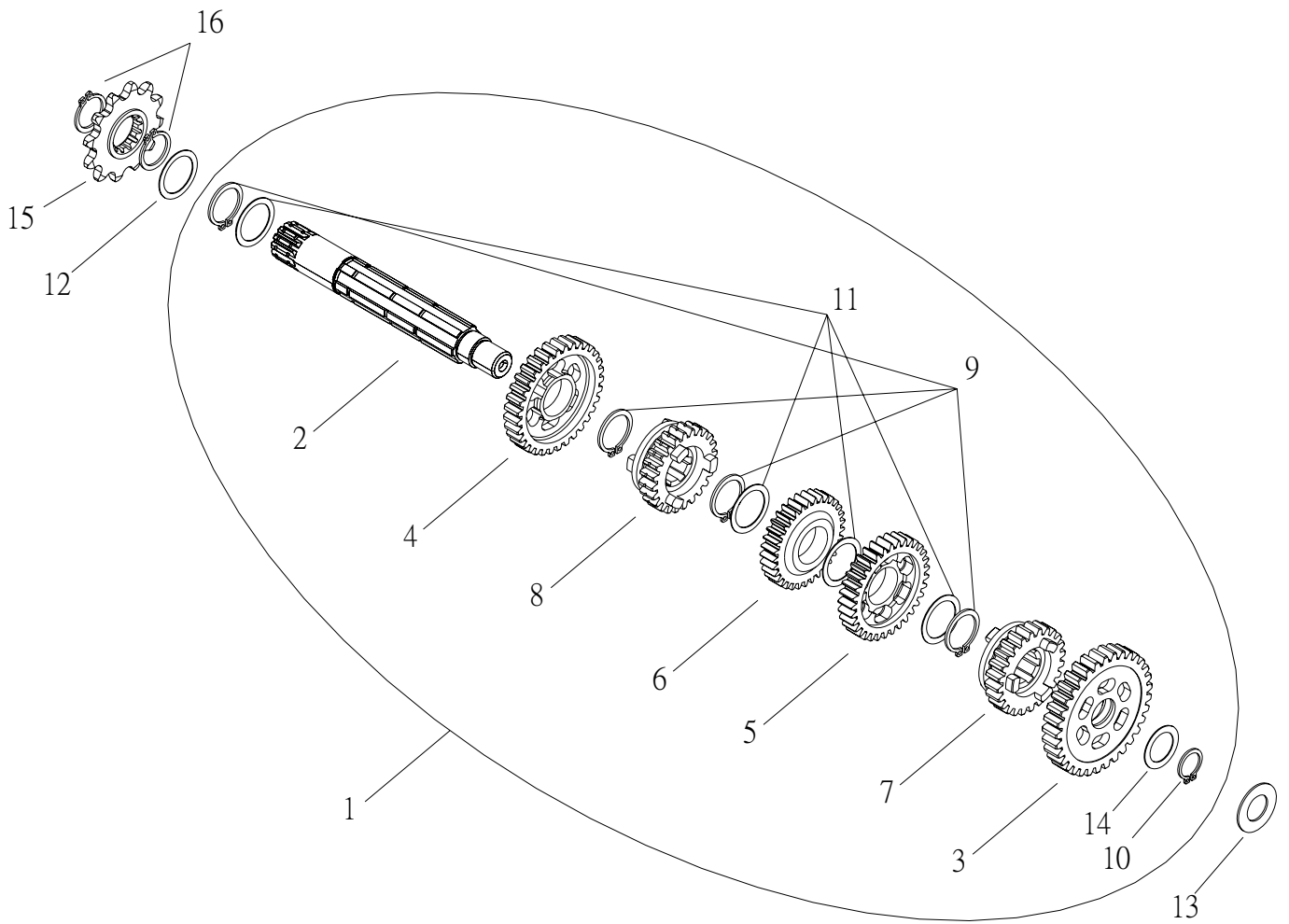
E4**主軸總成MAIN SHAFT ASSY.**

ITEM	PARTS NO.	DESCRIPTION	REQD. NO.	
			ENDURO 50C.C	
1	51A-15000-20-00	主軸總成 MAIN SHAFT ASSY.	1	
2	51A-15111-20-00	變速主軸 MAIN SHAFT	1	
3	51A-15310-10-00	主軸二檔齒輪 M-2 GEAR	1	
4	51A-15410-00-00	主軸三、四檔齒輪 M-3、M-4 GEAR	1	
5	51A-15610-00-00	主軸五檔齒輪 M-5 GEAR	1	
6	51A-15710-00-00	主軸六檔齒輪 M-6 GEAR	1	
7	S-4101-20263-60	平面華司 20x26x1 WASER 20x26x1	1	
8	S-4101-20261-60	平面華司 20x26x0.5 WASER 20x26x0.5	2	
9	S-4512-12200-00	環夾 20MM CIR-CLIP 20MM	2	
10	S-4511-10140-00	環夾 14MM CIR-CLIP 14MM	1	

E5

副軸總成 COUNTER SHAFT ASSY.

ENDURO-50C.



E5

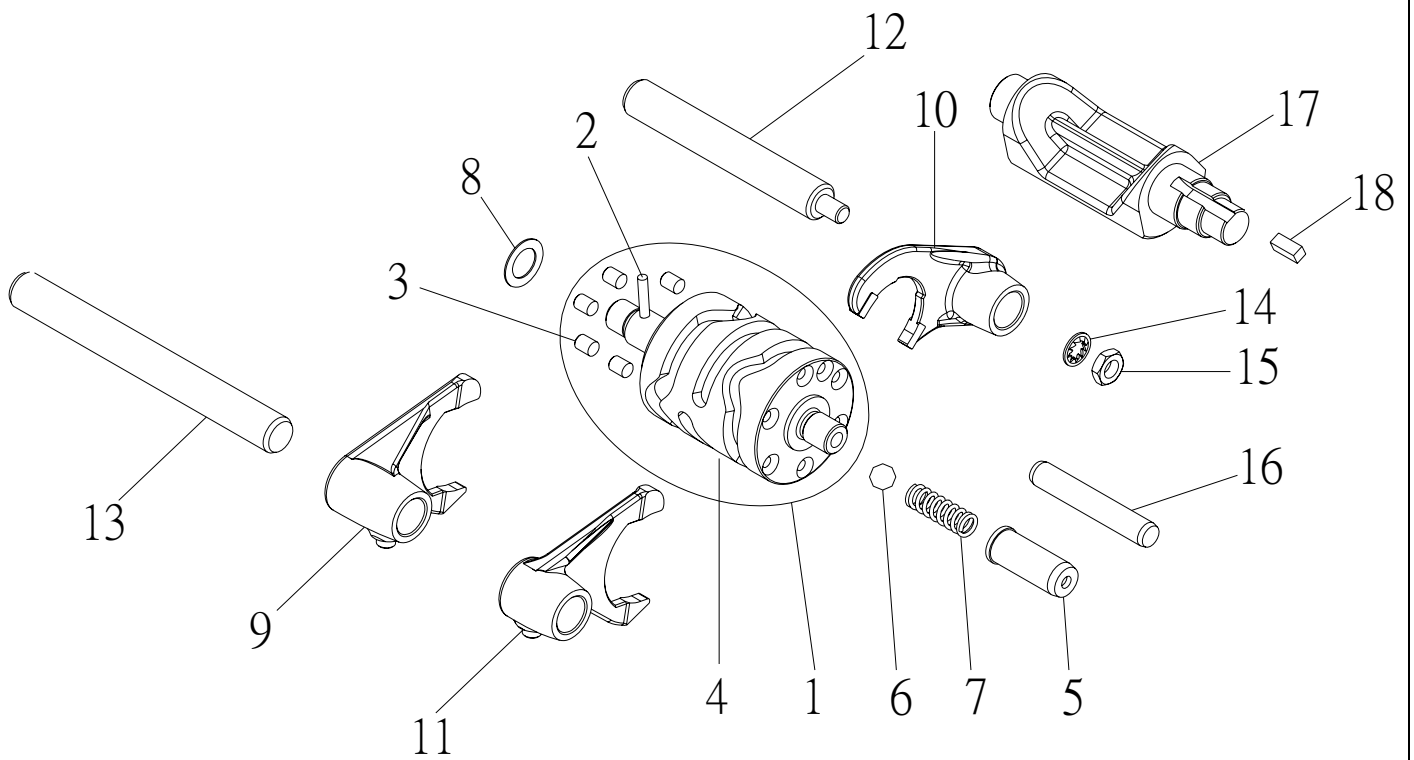
副軸總成 COUNTER SHAFT ASSY.

ITEM	PARTS NO.	DESCRIPTION	REQD. NO.	
			ENDURO 50C.C	
1	51A-16000-20-00	副軸總成 COUNTER SHAFT ASSY.	1	
2	51A-16111-10-00	變速副軸 COUNTER SHAFT	1	
3	51A-16210-00-00	副軸一檔齒輪 C-1 GEAR COMP.	1	
4	51A-16310-10-00	副軸二檔齒輪 C-2 GEAR	1	
5	51A-16410-10-00	副軸三檔齒輪 C-3 GEAR	1	
6	51A-16510-10-00	副軸四檔齒輪 C-4 GEAR	1	
7	51A-16610-10-00	副軸五檔齒輪 C-5 GEAR	1	
8	51A-16710-10-00	副軸六檔齒輪 C-6 GEAR	1	
9	S-4512-12200-00	環夾 20MM CIR-CLIP 20MM	4	
10	S-4511-10140-00	環夾 14MM CIR-CLIP 14MM	1	
11	S-4101-20263-60	平面華司 20x26x1 WASER 20x26x1	4	
12	S-4101-20261-60	平面華司 20x26x0.5 WASER 20x26x0.5	1	
13	S-4101-14261-60	平面華司 14x24x0.5 WASER 14x24x0.5	1	96.12.06 設變
14	S-4101-16243-62	平面華司 16x24x1 WASER 16x24x1	1	
15	51A-16911-10-00	驅動鏈輪 11 齒 (30、45、52 公里版) 11T DRIVE SPROCKET 30 KM 45KM,52KM	1	
	F05-16911-10-00	驅動鏈輪 11 齒 (OPEN、62 公里版) 13T DRIVE SPROCKET OPNE,62KM	1	
16	S-4511-12200-00	環夾 20MM CLIP 20MM	2	

E6

變速筒總成 GEAR SHIFT DRUM

ENDURO-50



E6

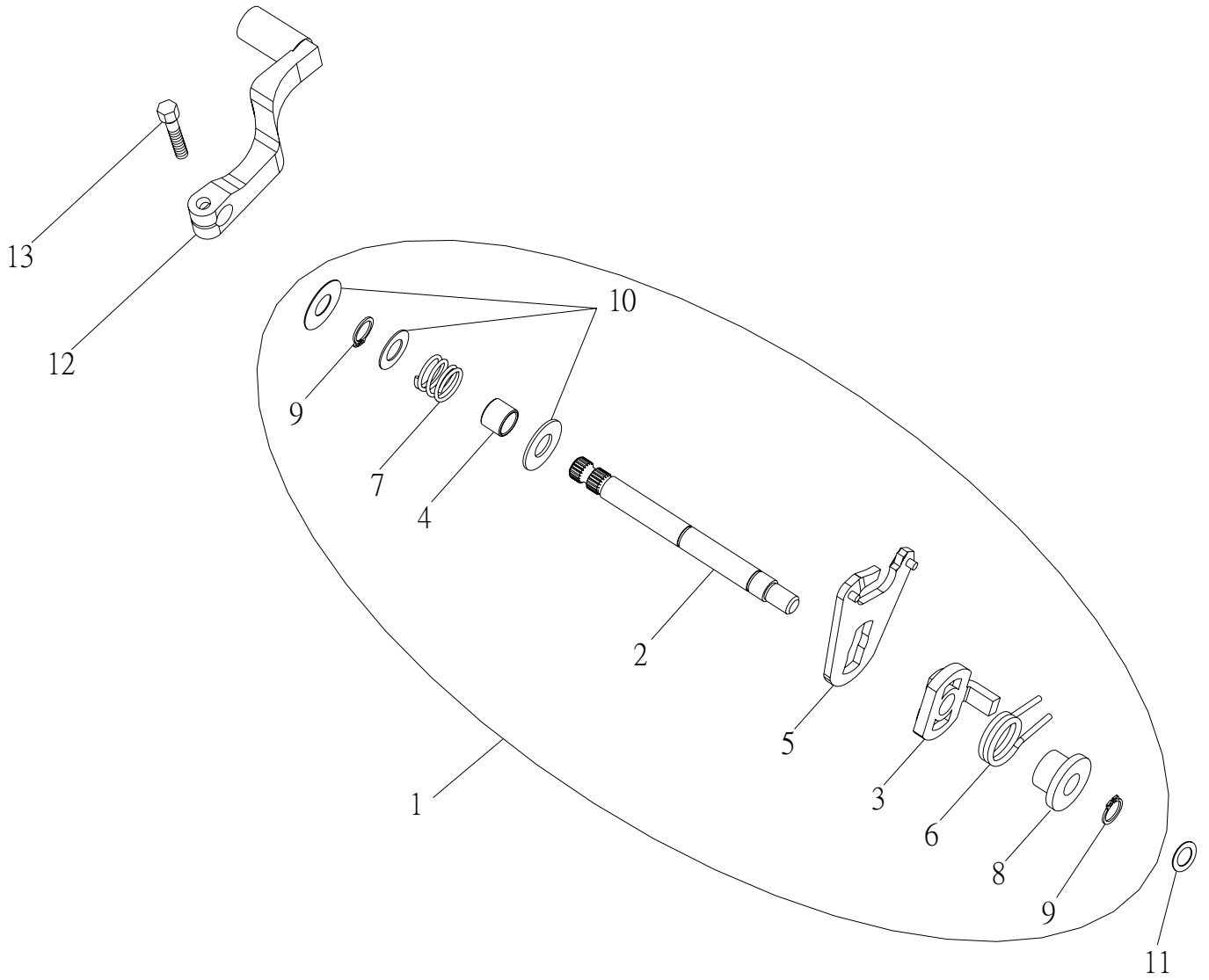
變速筒總成 GEAR SHIFT DRUM

ITEM	PARTS NO.	DESCRIPTION	REQD. NO.	
			ENDURO 50C.C	
1	51A-13260-20-00	變速筒總成 GEAR SHIFT DRUM ASSY.	1	96.5.28 設變
2	51A-13261-00-00	彈簧銷 3x24 SPRING PINS 3x24	1	
3	51A-13262-00-00	銷 3x10 PIN 3x10	5	
4	51A-13263-00-00	變速筒 GEAR SHIFT DRUM	1	
5	51A-01109-00-00	變速筒定位襯套 8x11x28.4 SHIFT DRUM POSITION BUSH 8x11x28.4	1	
6	S-6211-27000-00	定位鋼球 5/16" (ψ7.9) STEEL BALL 5/16" (ψ7.9)	1	
7	51A-13269-00-00	定位珠彈簧 7.8x1.2x24.2 POSITION BALL SPRING 7.8x1.2x24.2	1	
8	51A-13230-00-00	平面華司 10x16x0.5 WASHER 10x16x0.5	1	
9	51A-13221-10-00	左撥叉 LEFT GEAR SHIFT FORK	1	
10	51A-13222-10-00	中撥叉 CENTER GEAR SHIFT FORK	1	
11	51A-13223-10-00	右撥叉 RIGHT GEAR SHIFT FORK	1	
12	51A-13224-00-00	變速撥叉軸 A GEAR SHIFT FORK SHAFT A	1	
13	51A-13225-00-00	變速撥叉軸 B GEAR SHIFT FORK SHAFT B	1	
14	51A-13235-00-00	摺內齒墊片 6.1x11 TOOTHED LOCK WASHER 6.1x11	1	
15	S-4001-06000-01	螺帽 M6x1.0 NUT M6x1.0	1	
16	51A-13332-00-00	變速回動彈簧銷 GEAR SHIFT RETURN SPRING PIN	1	
17	51A-17321-10-00	平衡軸 BALANCER SHAFT	1	96.8.14 設變
18	51A-17323-00-00	方鍵 4x8 SQUARE KEY 4x8	1	

E7

變速軸總成 GEAR SHIFT SPINDLE ASSY.

ENDURO-50



E7

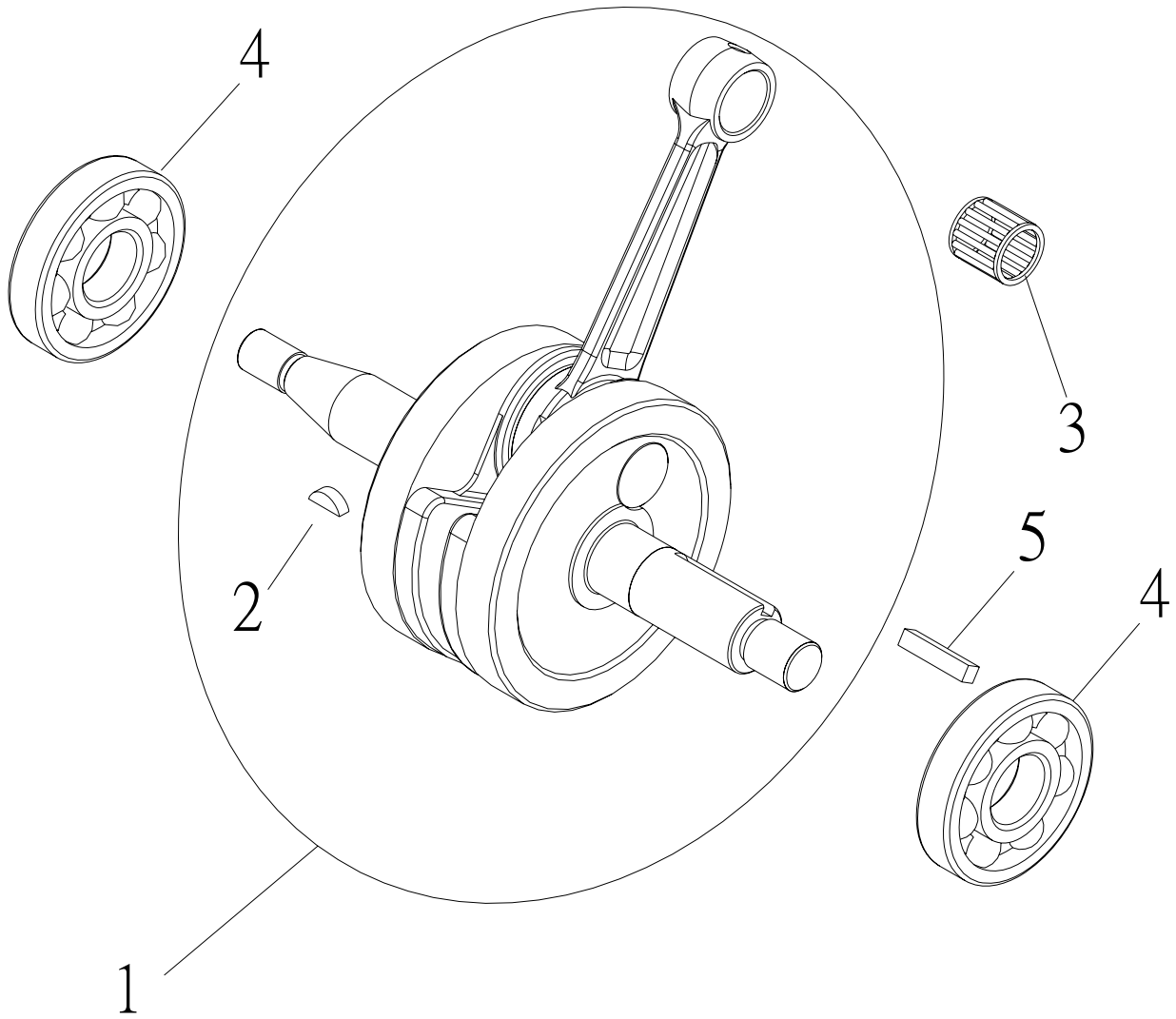
變速軸總成 GEAR SHIFT SPINDLE ASSY.

ITEM	PARTS NO.	DESCRIPTION	REQD. NO.	
			ENDURO 50C.C	
1	51A-13300-10-00	變速軸總成 GEAR SHIFT SPINDLE ASSY.	1	
2	51A-13311-00-00	變速軸 GEAR SHIFT SPINDLE	1	
3	51A-13312-00-00	撥板驅動板 GEAR SHIFT MASTER ARM	1	
4	51A-13315-00-00	變速軸襯套 GEAR SHIFT SPINDLE BUSH	1	
5	51A-13321-00-00	撥板組合 GEAR SHIFT PLATE	1	
6	51A-13322-10-00	變速回動彈簧 GEAR SHIFT RETURN SPG.	1	
7	51A-13323-00-00	變速片彈簧 GEAR SHIFT PLATE SPG.	1	
8	51A-13327-00-00	變速回動彈簧套 GEAR SHIFT RETURN SPG BUSH	1	
9	S-4511-10120-00	環夾 12MM CIR-CLIP 12MM	2	
10	S-4101-12222-00	平面華司 12.4x22x0.8 WASHER 12.4x22x0.8	3	
11	51A-13230-00-00	平面華司 10x16x0.5 WASHER 10x16x0.5	1	96.5.15 設變
12	51A-13341-00-00	變速踏桿 GEAR CHANGE PEDAL COMP.	1	
13	S-5800-06020-03	六角緣面螺栓 M6x20 FLANGE NUT M6x20	1	

E8

曲軸總成 CRANK SHAFT COMP.

ENDURO-50



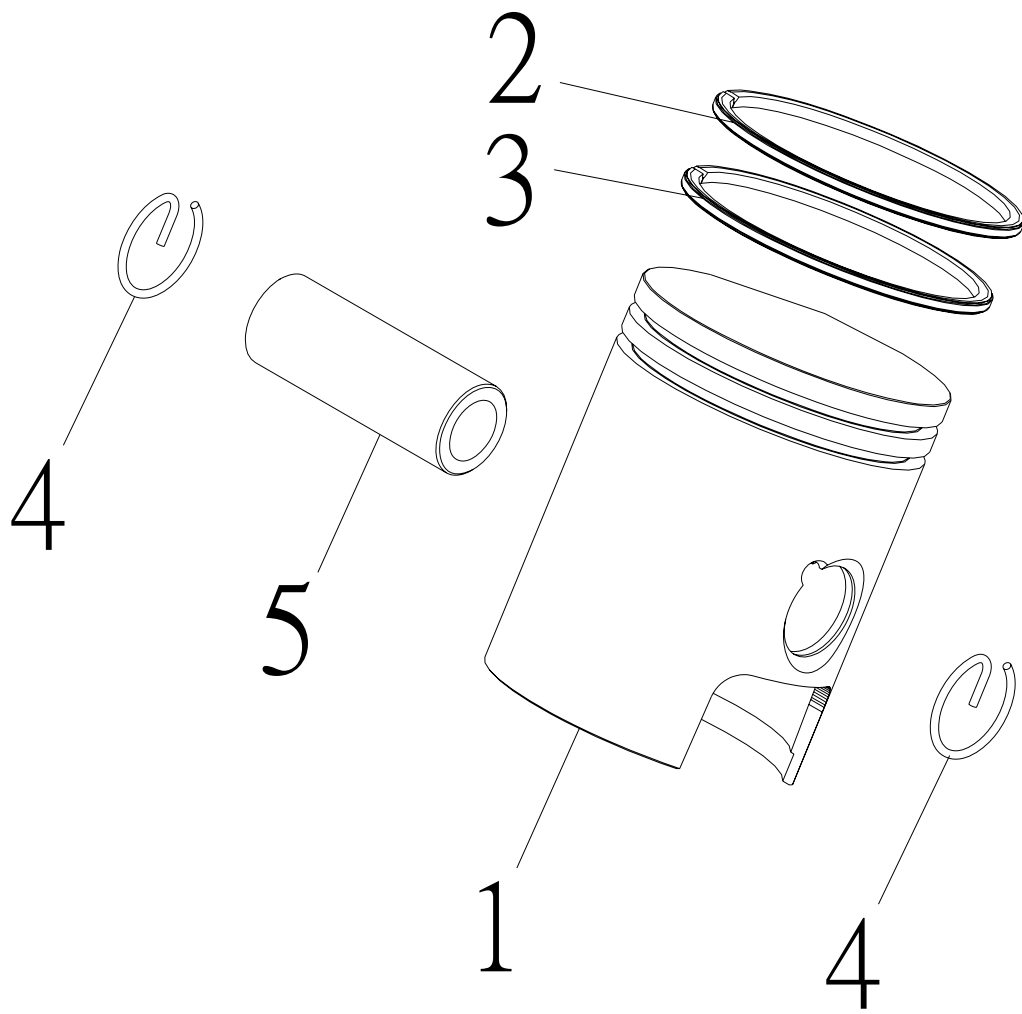
E8**曲軸總成 CRANK SHAFT COMP.**

ITEM	PARTS NO.	DESCRIPTION	REQD. NO.	
			ENDURO 50C.C	
1	51A-04100-40-00	曲軸總成 CRANK SHAFT COMP.	1	
2	51A-04151-00-00	半圓鍵 10X3.7 WOODRUFF KEY 10X3.7	1	
3	51A-04116-00-00	滾針軸承 12x15x15 CON-ROD NEEDLE BRG. 12x15x15	1	
4	S-6123-06303-00	滾珠軸承 6303 BALL BEARING 6303	2	
5	51A-04161-00-00	方鍵 4X20 SQUARE KEY 4X20	1	

E9

活塞總成 PISTON ASSY.

ENDURO-50



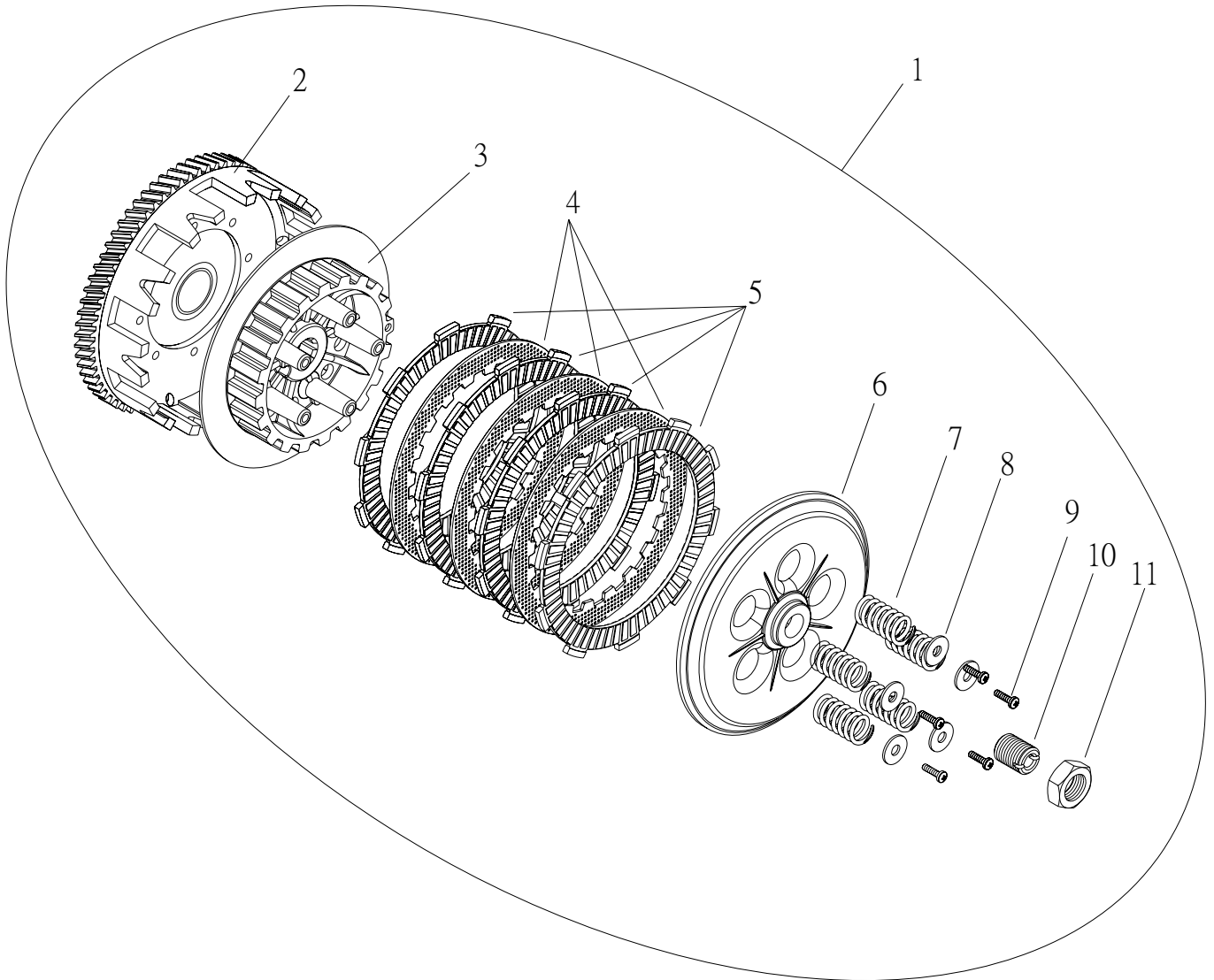
E9**活塞總成PISTON ASSY.**

ITEM	PARTS NO.	DESCRIPTION	REQD. NO.	
			ENDURO 50C.C	
1	51A-02611-10-00	活塞 PISTON	1	
2	51A-02621-00-00	活塞環（頂環） PISTON TOP RING	1	
3	51A-02622-00-00	活塞環（第二環） PISTON 2ND RING	1	
4	S-4602-10120-00	活塞銷環夾 12MM PISTON PIN CLIP 12MM	2	
5	64A-02631-00-00	活塞銷 12x33 PISTON PIN 12x33	1	

E10

離合器總成 CLUTCH ASSY.

ENDURO-50



E10**離合器總成 CLUTCH ASSY.**

ITEM	PARTS NO.	DESCRIPTION	REQD. NO.	
			ENDURO 50C.C	
1	51A-11100-00-00	離合器總成 CLUTCH ASSY.	1	
2	51A-11140-00-00	離合器外套 CLUTCH OUTER COMP	1	
3	51A-11121-00-00	離合器中樞 CLUTCH CENTER	1	
4	51A-11128-00-00	離合器板 CLUTCH PLATE	3	
5	51A-11127-00-00	離合器磨擦片 CLUTCH FRICTION DISK	4	
6	51A-11124-00-00	離合器壓板 CLUTCH PRESSURE PLATE	1	
7	51A-11129-00-00	離合器彈簧 CLUTCH SPRING	5	
8	S-4101-05155-01	平面華司 5x15x2.0 WASHER 5x15x2.0	5	
9	S-3500-05020-01	盤頭螺栓 M5x20 PAN HEAD SCREW M5x20	5	
10	51A-11149-00-00	調緊螺絲 M14x18 SCREW M14x18	1	
11	S-4050-14000-00	調緊螺帽 M14 NUT M14	1	

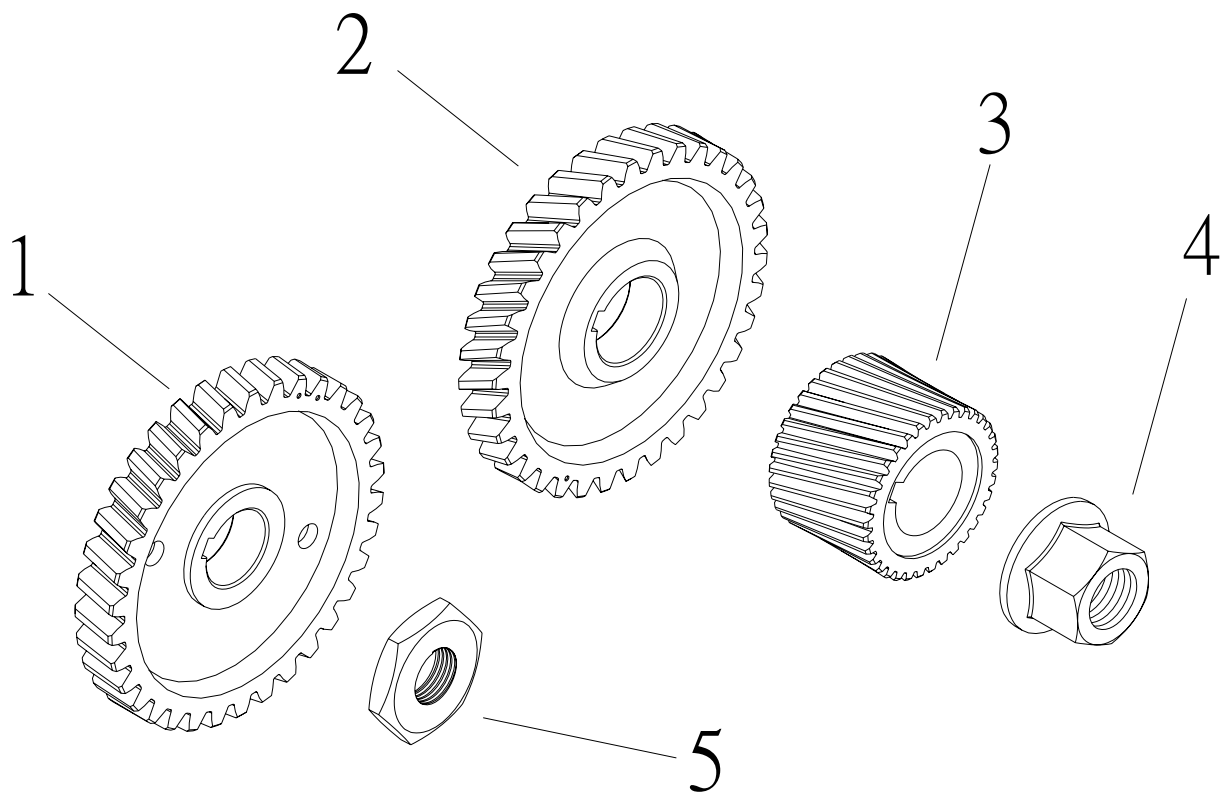
E10-1**離合器總成CLUTCH**

ITEM	PARTS NO.	DESCRIPTION	REQD. NO.	
			ENDURO 50C.C	
1	51A-11100-00-00	離合器總成 CLUTCH ASSY.	1	
2	51A-11135-00-00	槽溝華司 18x27.5 SPLINE WASHER 18x27.5	1	
3	S-4101-17271-20	平面華司 17x27x0.5 WASHER 17x27x0.5	1	
4	51A-11136-00-00	栓槽墊片 16x30x4 SPLINE WASHER 16x30x4	1	
5	51A-11133-10-00	內分離頂桿 INNER CLUTCH PUSH	1	96.7.10 設變
6	S-6211-17000-00	鋼珠 3/16" (ψ4.76) STEEL BALL 3/16" (ψ4.76)	1	
7	51A-11138-00-00	防鬆墊片 LOCK WASHER	1	
8	S-4011-12000-03	六角螺帽 M12x1.25X8 FLANGE NUT M12x1.25X8	1	
9	51A-11148-10-00	外分離頂桿 OUTER CLUTCH PUSH	1	96.7.10 設變

E11

齒輪組件 GEARS

ENDURO-50



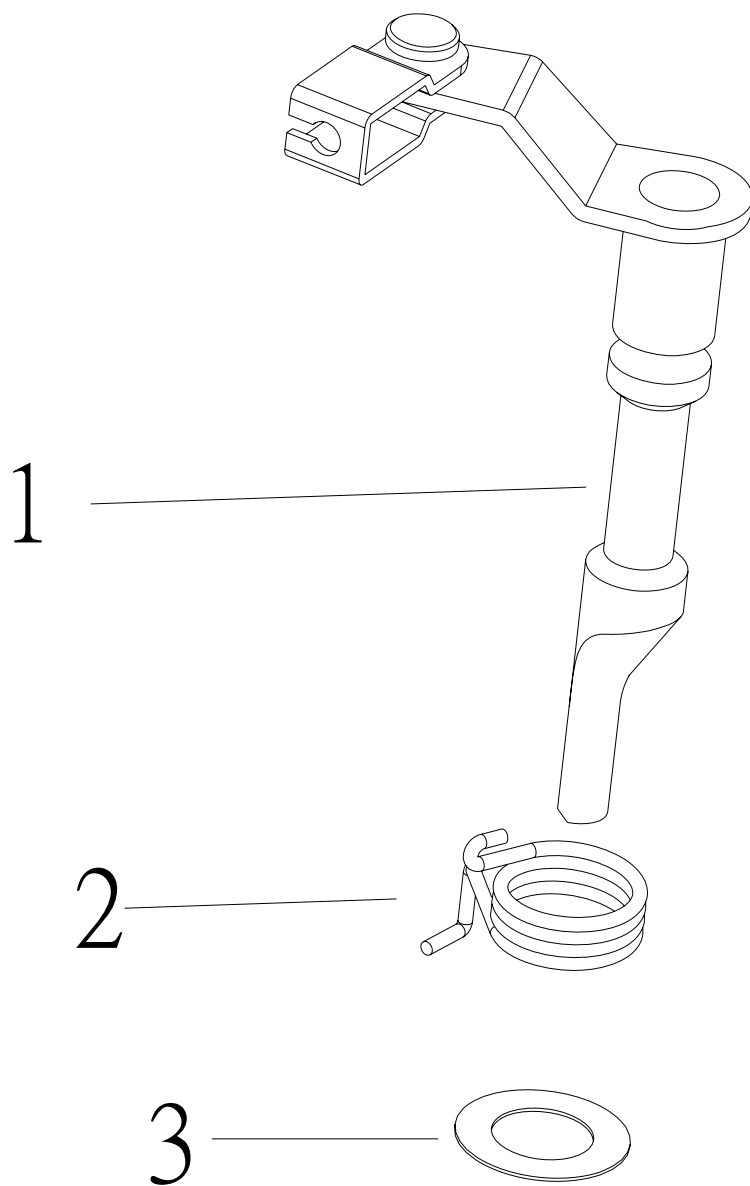
E11**齒輪組件GEARS**

ITEM	PARTS NO.	DESCRIPTION	REQD. NO.	
			ENDURO 50C.C	
1	51A-17312-00-00	平衡軸主軸齒輪 BALANCER GEAR	1	
2	51A-17311-00-00	平衡軸驅動齒輪 BALANCER DRIVE GEAR	1	
3	51A-17313-00-00	主動齒輪 PRIMARY DRIVE GEAR	1	
4	51A-01188-10-00	六角螺帽 M12x1.25 FLANGE NUT M12x1.25	1	96/11/ 10 設變
5	51A-01187-00-00	六角螺帽 M12x1.25X5 FLANGE NUT M12x1.25X5	1	

E12

離合器桿總成 CLUTCH LEVER COMP.

ENDURO-50



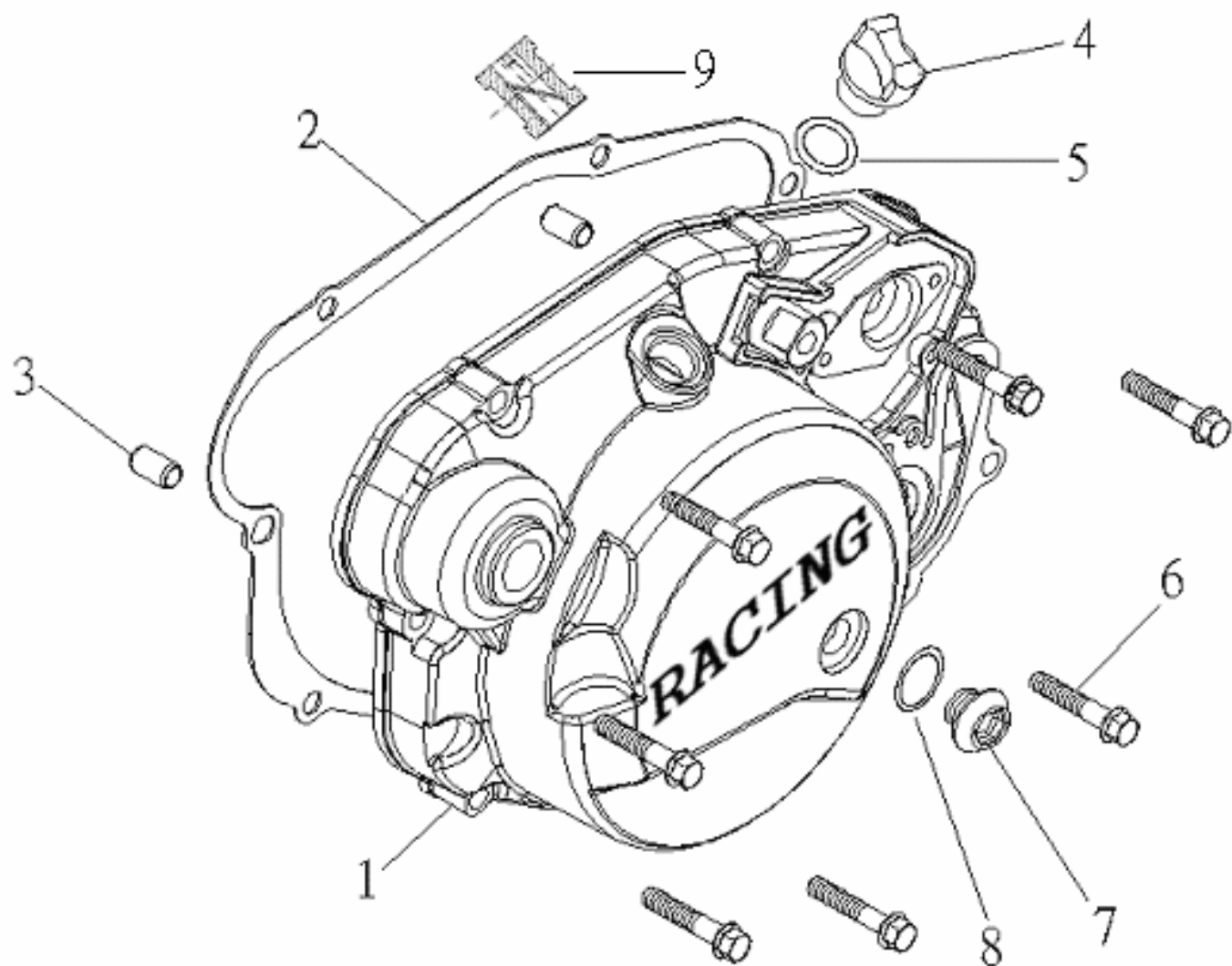
E12**離合器桿總成CLUTCH LEVER COMP.**

ITEM	PARTS NO.	DESCRIPTION	REQD. NO.	
			ENDURO 50C.C	
1	51A-11170-00-00	離合器桿組件 CLUTCH LEVER COMP.	1	
2	51A-11162-10-00	離合器桿彈簧 CLUTCH LEVER SPRING	1	95.7.26 設變
3	S-4101-14241-60	平面華司 14x24x0.5 WASHER 14x24x0.5	1	

E13

右曲軸箱蓋 R. CRANK CASE COVER

ENDURO-50



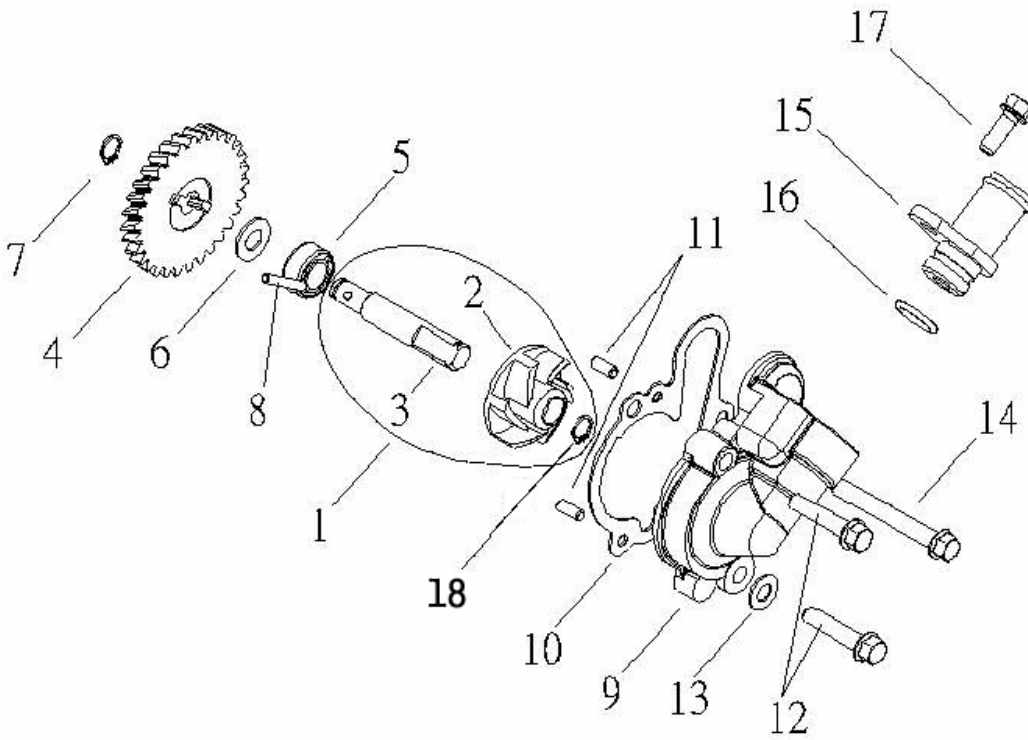
E13**右曲軸箱蓋R. CRANK CASE COVER**

ITEM	PARTS NO.	DESCRIPTION	REQD. NO.	
			ENDURO 50C.C	
1	51A-01401-60-7E	右曲軸箱蓋 R. CRANK CASE COVER	1	
2	51A-08231-10-00	右曲軸箱蓋墊片 RIGHT CRANK CASE COVER GASKET.	1	
3	S-4301-08140-00	定位銷 8x14 DOWEL PIN 8x14	2	
4	51A-05280-00-00	加油孔螺塞 OIL LEVEL PLUG	1	
5	S-1305-30145-00	O 型環 14.5x3 O-RING 14.5x3	1	
6	S-6001-06032-01	六角緣面螺栓 M6x32 FLANGE BOLT M6x32	7	
7	51A-05283-00-00	機油檢視孔螺栓 OIL LEVEL BOLT	1	
8	S-1301-19100-00	O 型環 10x13.8x1.9 O-RING 10x13.8x1.9	1	
9	51A-01105-10-00	銅襯套 BUSH	1	

E14

水泵蓋 WATER PUMP

ENDURO-50



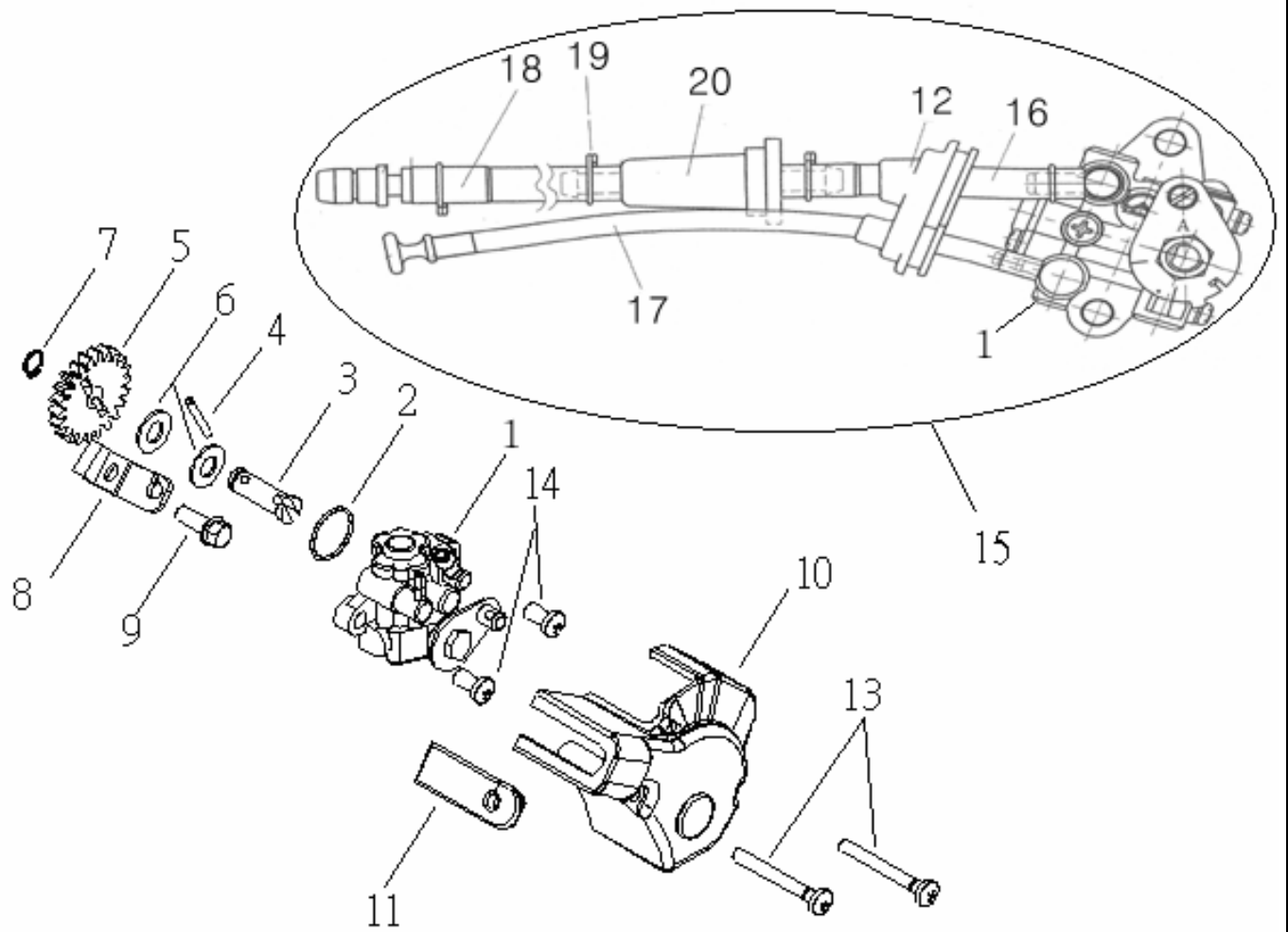
E14**水泵蓋 WATER PUMP**

ITEM	PARTS NO.	DESCRIPTION	REQD. NO.	
			ENDURO 50C.C	
1	51A-06110-10-00	水泵葉輪組件 IMPELLER SHAFT COMP.	1	
2	64A-06111-00-00	水泵浦葉輪 IMPELLER	1	
3	51A-06112-10-00	水泵浦葉輪軸 IMPELLER SHAFT	1	
4	51A-06132-00-00	水泵齒輪 WATER PUMP GEAR	1	
5	S-1220-10018-80	油封 10x18x8 OIL SEAL 10x18x8	1	
6	S-4101-08120-60	平面華司 8x12x1.0 WASHER 8x12x1.0	1	
7	S-4511-08080-00	環夾 8MM CIR-CLIP 8MM	1	
8	51A-17343-00-00	銷 2.9x21.5 PIN 2.9x21.5	1	
9	51A-01461-00-00	水泵蓋 HOUSING COVER	1	
10	51A-08236-10-00	水泵蓋墊片 HOUSING COVER GASKET	1	
11	S-4302-04100-00	定位銷 4x10 DOWEL PIN 4x10	2	
12	S-6001-06025-01	六角緣面螺栓 M6x25 FLANGE BOLT M6x25	2	
13	S-4101-06113-50	平面華司 6x11x1 WASHER 6x11x1	2	
14	S-6001-06055-01	六角緣面螺栓 M6x55 FLANGE BOLT M6x55	1	
15	51A-01462-00-00	出水管接頭 HOUSING OUTLET JOINT	1	
16	S-1305-18130-00	O 型環 13x16.6X1.8 O-RING 13x16.6X1.8	1	
17	S-6001-06016-01	六角緣面螺栓 M6x16 FLANGE BOLT M6x16	1	
18	S-4511-10096-00	C 型環夾 C CLIP	1	

E15

油泵總成 OIL PUMP

ENDURO-50



E15

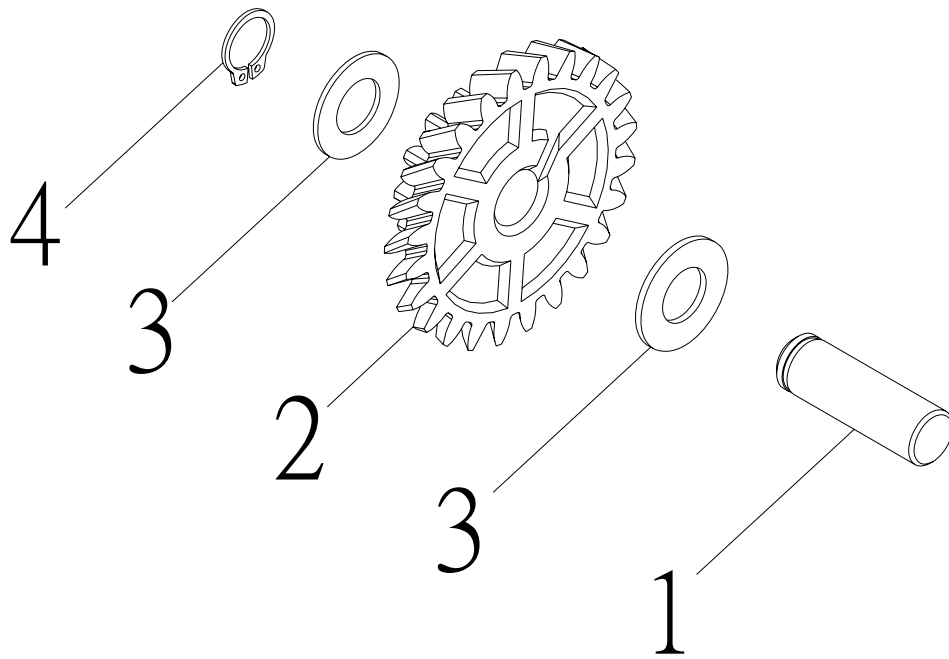
油泵總成 OIL PUMP

ITEM	PARTS NO.	DESCRIPTION	REQD. NO.	
			ENDURO 50C.C	
1	51A-05111-10-00	油泵本體 OIL PUMP ASSY.	1	96.3.21 設變
2	S-1301-12180-00	O 型環 18x20.4x1.2 O-RING 18x20.4x1.2	1	
3	51A-17341-00-00	油泵聯接軸 OIL PUMP AXLE	1	
4	51A-17343-00-00	銷 2.9x21.5 PIN 2.9x21.5	1	
5	51A-17351-00-00	油泵齒輪 OIL PUMP GEAR	1	
6	S-4101-08120-60	平面華司 8x12x1.0 WASHER 8x12x1.0	2	
7	S-4511-08080-00	環夾 8MM CIR-CLIP 8MM	1	
8	51A-05174-00-00	油泵鋼索固定板 OIL CABLE SUPPORT	1	
9	S-6001-06016-01	六角緣面螺栓 M6x16 FLANGE BOLT M6x16	1	
10	51A-01471-10-00	油泵蓋 OIL PUMP HOUSING COVER	1	96/7/ 05 設變
11	51A-01472-00-00	油泵蓋密封橡膠, 1 OIL PUMP COVER SEAL RUBBER, 1	1	
12	51A-01473-00-00	油泵蓋密封橡膠, 2 OIL PUMP COVER SEAL RUBBER, 2	1	
13	S-3500-05040-03	盤頭螺栓 M5x40 PAN HEAD SEREW M5x40	2	
14	S-3500-05016-01	盤頭螺栓 M5x16 PAN HEAD SEREW M5x16	2	
15	51A-05100-20-00	機油泵總成	1	96/3/ 26 設變
16	51A-05511-00-00	油管, 1	1	
17	51A-05512-00-00	油管, 2	1	
18	51A-05514-00-00	油管, 3	1	
19	A-4202-08080-00	油管夾	4	
20	51A-05236-00-00	機油濾清器	1	

E16

中間軸 IDLE GEAR SHAFT

ENDURO-50



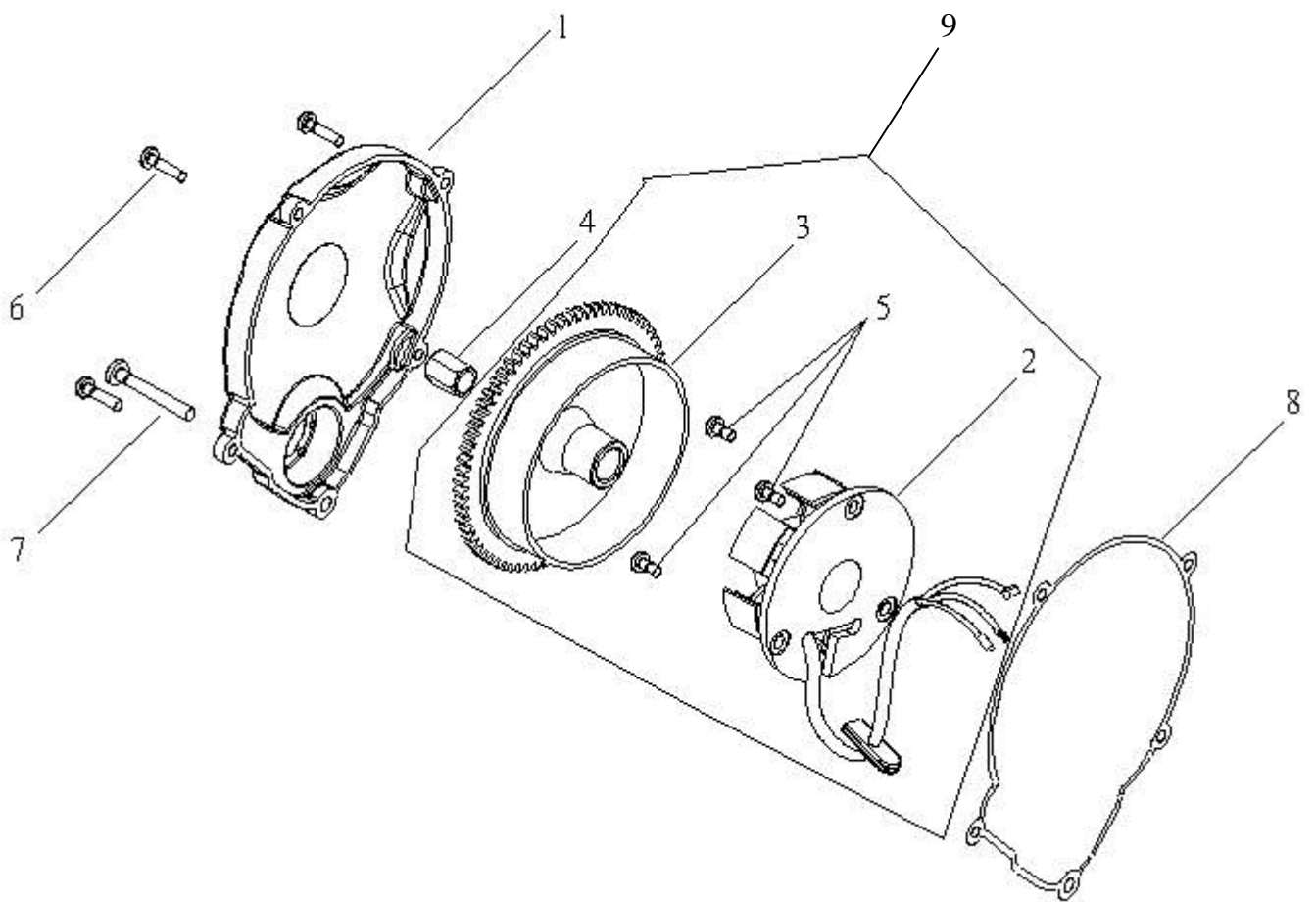
E16**中間軸IDLE GEAR SHAFT**

ITEM	PARTS NO.	DESCRIPTION	REQD. NO.	
			ENDURO 50C.C	
1	51A-17342-00-00	中間軸 IDLE GEAR SHAFT	1	
2	51A-17352-00-00	中間齒輪 IDLE GEAR	1	
3	S-4101-08120-60	平面華司 8x12x1.0 WASHER 8x12x1.0	2	
4	S-4511-08080-00	環夾 8MM CIR-CLIP 8MM	1	

E17

左曲軸箱蓋 L. CRANK CASE COVER

ENDURO-50

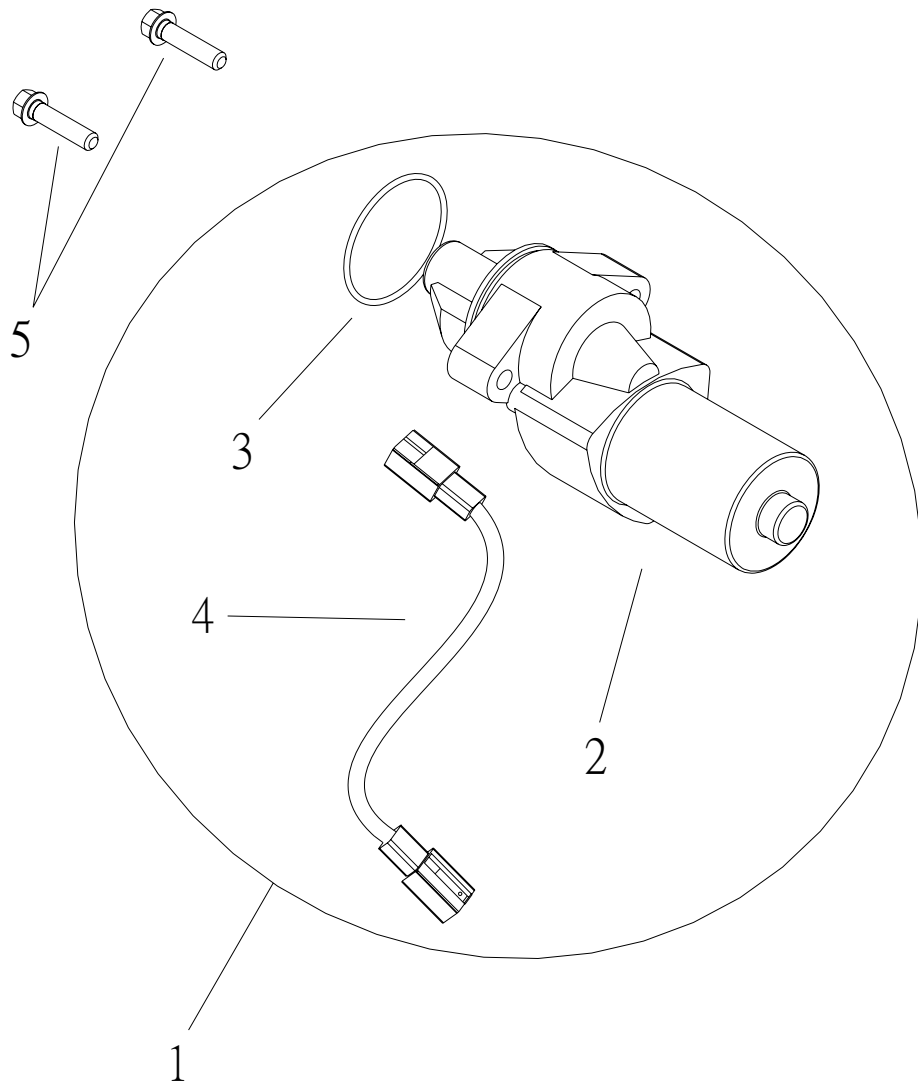


E17**左曲軸箱蓋L. CRANK CASE COVER**

ITEM	PARTS NO.	DESCRIPTION	REQD. NO.	
			ENDURO 50C.C	
1	51A-01301-00-7E	左曲軸箱蓋 L. CRANK CASE COVER	1	
2	51A-21130-20-00	線圈組件 STATOR COIL COMP.	1	
3	51A-21110-00-00	飛輪組 A.C.G. FLY WHEEL COMP.	1	
4	51A-21149-00-00	飛輪鎖緊螺帽 M10x1.25x18.8 A.C.G. NUT M10x1.25x18.8	1	
5	S-3500-05014-03	盤頭螺栓 M5x14 PAN HEAD SEREW M5x14	3	
6	S-3500-05020-03	盤頭螺栓 M5x20 PAN HEAD SEREW M5x20	4	
7	S-3500-06030-03	盤頭螺栓 M6x30 PAN HEAD SEREW M6x30	1	
8	51A-08241-10-00	左曲軸箱蓋墊片 L.CRANK CASE COVER GASKET	1	96.03.21 設變-
9	51A-21100-20-00	A.C.G 總成 A.C.G ASSY.	1	

E18

起動馬達總成 STARTER MOTOR ASSY. ENDURO-50C.



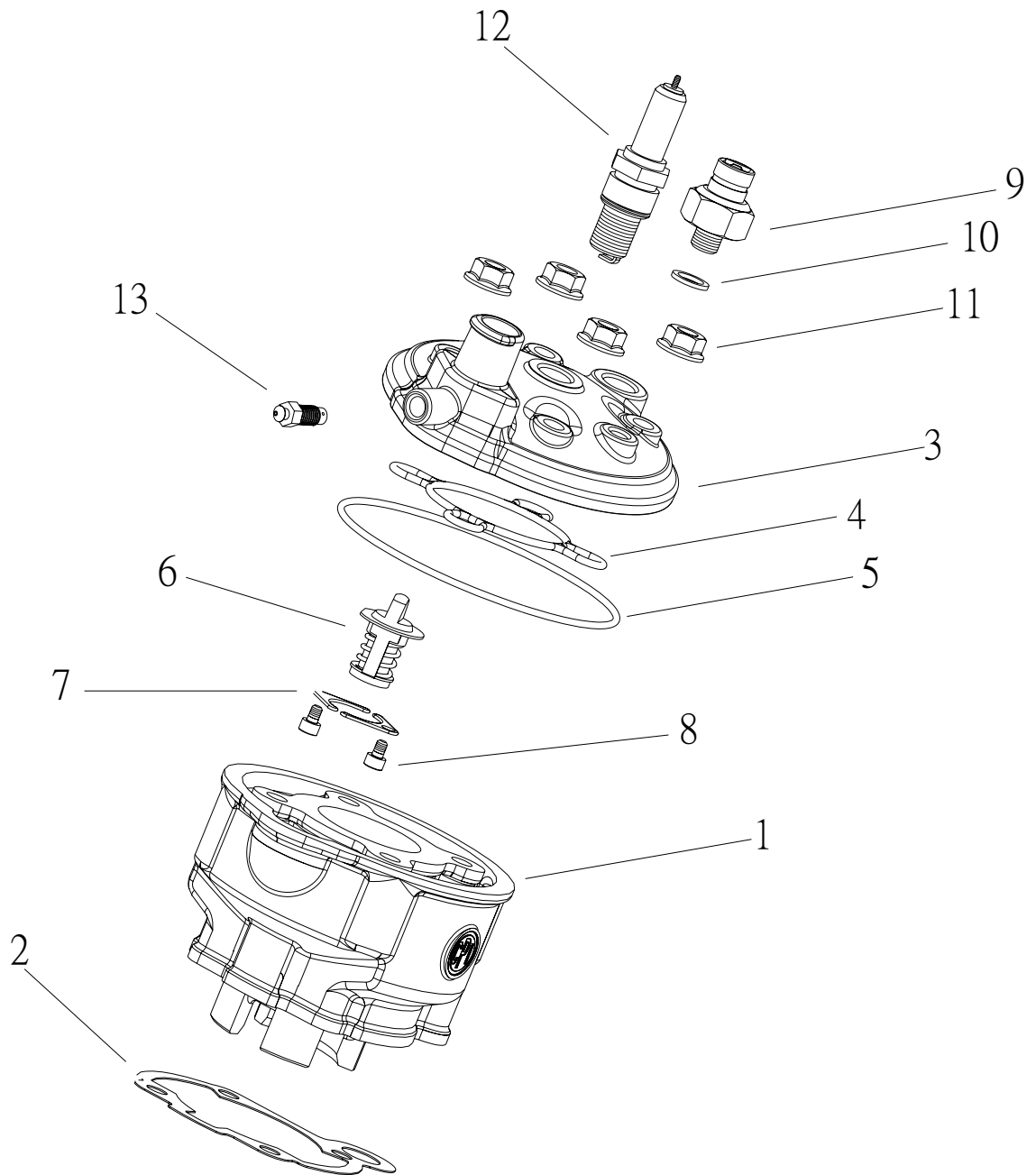
E18**起動馬達總成STARTER MOTOR ASSY.**

ITEM	PARTS NO.	DESCRIPTION	REQD. NO.	
			ENDURO 50C.C	
1	51A-22200-00-00	起動馬達總成 STARTER MOTOR ASSY.	1	
2	51A-22210-00-00	起動馬達 STARTER MOTOR	1	
3	S-1305-18350-00	O 形環 35x1.8 O-RING 35x1.8	1	
4	51A-22211-00-00	起動馬達電源線 STARTER MOTOR LINE	1	
5	S-6001-06025-01	六角緣面螺栓 M6x25 FLANGE BOLT M6x25	2	

E19

汽缸/汽缸頭 CYLINDER / CYLINDER HEAD

ENDURO-50



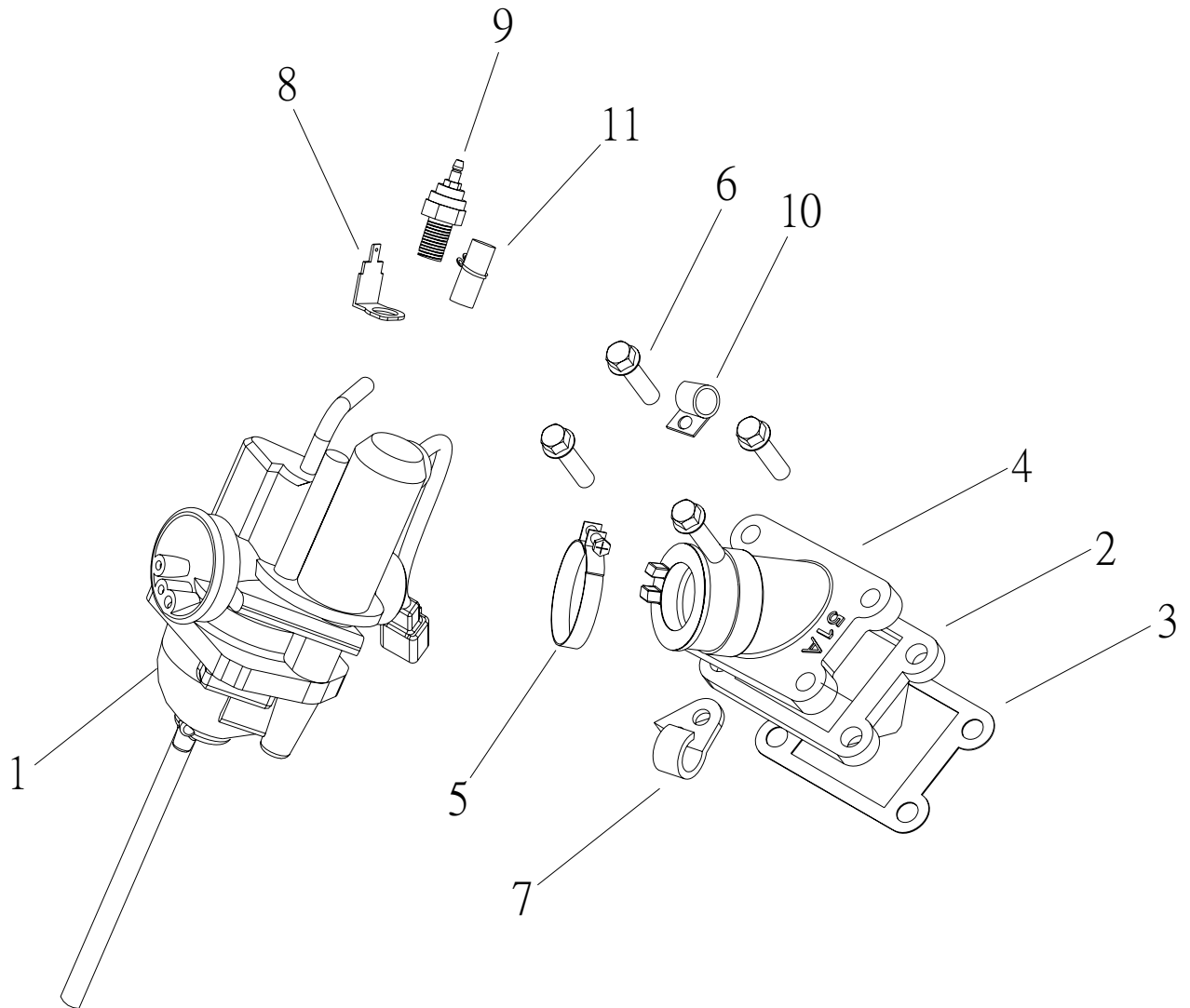
E19**汽缸/汽缸頭CYLINDER / CYLINDER HEAD**

ITEM	PARTS NO.	DESCRIPTION	REQD. NO.	
			ENDURO 50C.C	
1	51A-02400-00-7E	汽缸 CYLINDER	1	
2	51A-08216-10-00	汽缸墊片 CYLINDER GASKET	1	
3	51A-02101-20-67	汽缸頭 CYLINDER HEAD	1	
4	51A-08214-00-00	汽缸頭密封內圈 CYLINDER HEAD SEAL	1	
5	51A-08213-00-00	汽缸頭密封外圈 CYLINDER HEAD SEAL	1	
6	64A-02525-00-00	水溫感應器 TEMPERATURE SENSOR	1	
7	64A-02526-00-00	固定片 SETTING PLATE	2	
8	S-6700-04005-03	六角承窩螺釘 M4x0.7x5 FLANGE BOLT M4x0.7x5	2	
9	64A-06530-10-00	溫控感測器元件 TEMPERATURE SWITCH	1	95.8.10 宗達
10	S-4101-10143-40	平面華司 10x14x1.0 WASHER 10x14x1.0	1	
11	S-4050-07000-04	六角緣面螺帽 M7x1.0 FLANGE NUT M7x1.0	4	
12	51A-23111-00-00	火星塞 NGK BR10ES (OPEN 版) SPARK PLUG NGK BR10ES	1	
	64A-23111-00-00	火星塞 NGK BR8ES (30、52、62KM 版) SPARK PLUG NGK BR8ES	1	
13	64A-02527-10-00	放氣螺釘 M8 VENTING SCREW M8	1	

E20

化油器總成 CARBURETOR

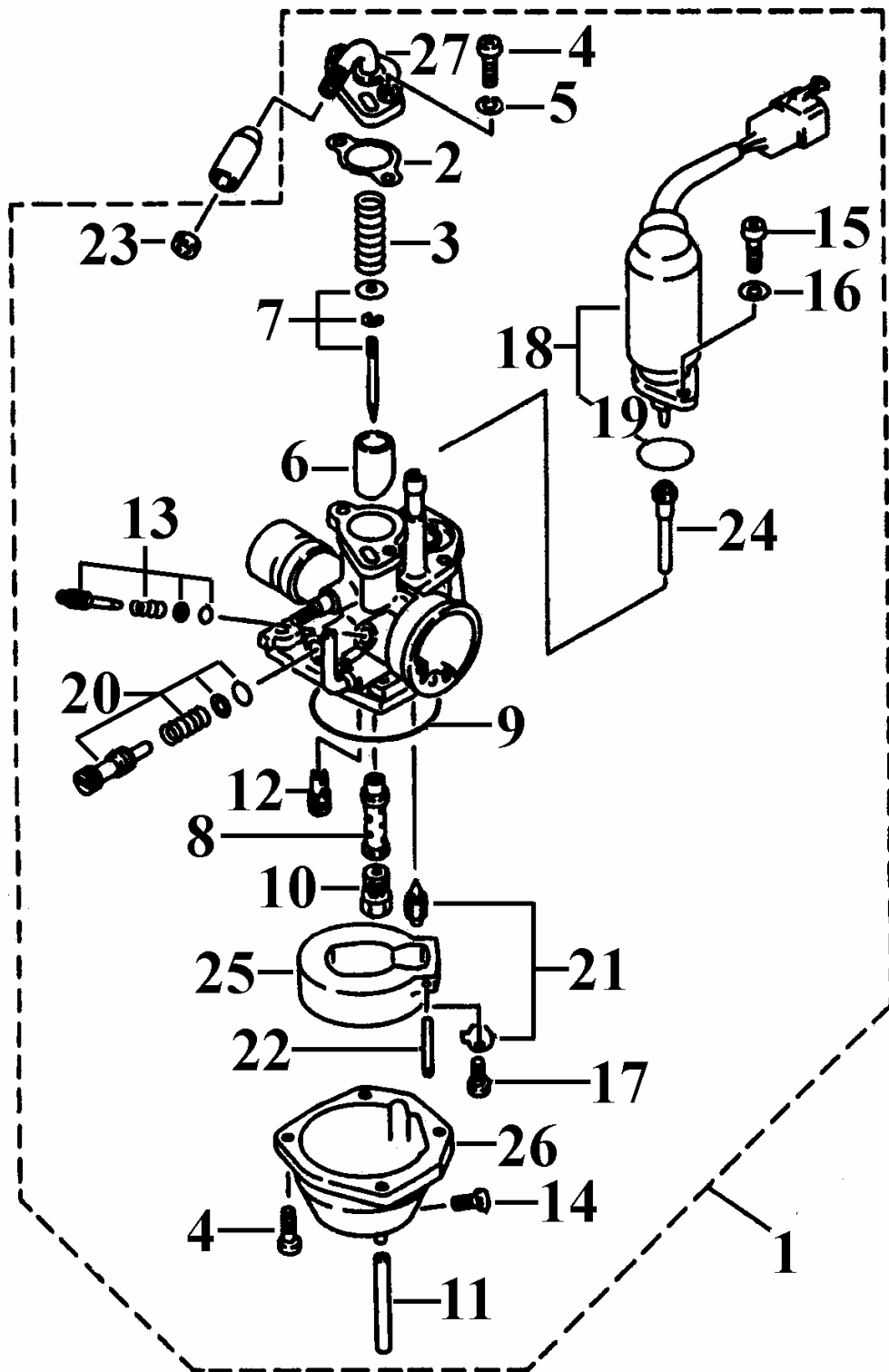
ENDURO-50



E20

化油器總成 CARBURETOR

ITEM	PARTS NO.	DESCRIPTION	REQD. NO.	
			ENDURO 50C.C	
1	51A-09400-10-00	化油器總成 CARBURETOR ASSY. OPEN	1	
2	51A-09240-00-00	閥片總成 REED VALVE ASSY.	1	
3	51A-08251-10-00	簧片閥墊片 REED VALVE GASKET	1	
4	51A-09200-00-00	進氣管組 INTAKE MANIFOLD COMP.	1	
5	61A-09231-00-00	進氣管夾 HIGH PRESSURE CLAMP	1	
6	S-6001-06025-01	六角緣面螺栓 M6x25 FLANGE BOLT M6x25	4	
7	51A-01325-10-00	離合器線架 CLUTCH CABLE BRACKET	1	2007.5/26 設變
8	64A-23186-00-00	端子 TERMINAL	1	
9	64A-23181-00-00	加溫器 HEATER CARBURTOR	1	
10	51A-05513-00-00	油管固定夾 OIL PIPE CLAMP	1	
11	61G-09489-00-00	化油器橡膠套 CARBURETOR RUBBER	1	



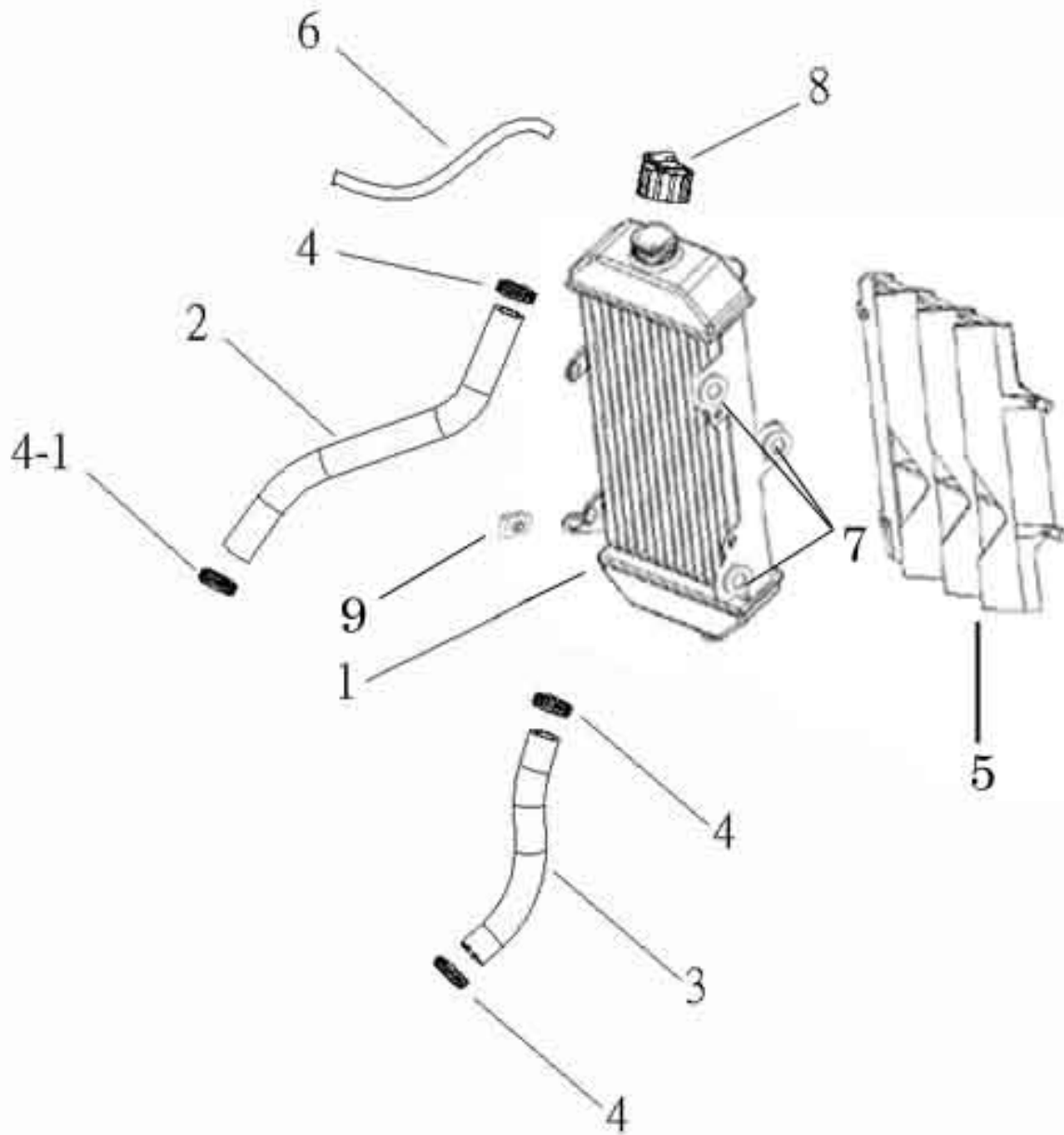
E20-1		化油器總成 CARBURETOR ASSY.		
ITEM	PARTS NO.	DESCRIPTION	REQD. NO. ENDURO 50C.C	
1	51A-09400-10-00	化油器總成 OPEN CARBURETOR ASSY. OPEN	1	
	F15-09400-10-00	化油器總成 45KM CARBURETOR ASSY. 45KM	1	
	F16-09400-10-00	化油器總成 52KM CARBURETOR ASSY. 52KM	1	
	F17-09400-10-00	化油器總成 62KM CARBURETOR ASSY. 62KM	1	
	F18-09400-10-00	化油器總成 30KM CARBURETOR ASSY. 30KM		
	F23 -09400-10-00	化油器總成 瑞士 62KM 版 CARBURETOR ASSY. 62KM	1	
2	51A-09331-00-00	化油器上蓋墊片 CARBURETOR HEAD GASKET	1	
3	61G-09412-00-00	節流閥彈簧 THROTTLE STOP SPRING	1	
4	S-3500-04140-01	十字圓頭螺栓 PAN PHILLIPS BOLT	6	
5	S-4111-04063-31	彈簧華司 SPRING WASHER	2	
6	61J-09411-00-00	節流閥(總長 28MM) THROTTLE VALVE	1	
	F01 -09411-00-00	節流閥(總長 32MM.GTR30KM 限速同) THROTTLE VALVE	1	
7	61J-09414-00-00	油針組 NEEDLE SET	1	
8	61J-09332-00-00	針噴嘴 NEEDLE NOZZLE	1	
9	61G-09334-00-00	浮筒室封圈 FLOAT CHAMBER SEAL	1	
10	51A-09410-00-00	(主油嘴) ϕ 77.5 OPEN (MJ) ϕ 77.5 OPEN	1	
	F15-09410-00-00	(主油嘴) ϕ 72.5 45KM (MJ) ϕ 72.5 45KM	1	
	F16-09410-00-00	(主油嘴) ϕ 77.5 52KM (瑞士 62KM 版同) (MJ) ϕ 77.5 52KM	1	
	F17-09410-00-00	(主油嘴) ϕ 75 62KM (MJ) ϕ 75 62KM	1	
	F18-09410-00-00	(主油嘴) ϕ 37.5 30KM (MJ) ϕ 37.5 30KM	1	

11	51A-09499-10-00	洩油管 200mm OVER FLOW TUBE 200mm	1	
12	51A-09372-00-00	(怠速噴嘴) ϕ 20 OPEN (PJ) ϕ 20 OPEN	1	
	61A-09372-00-00	(怠速噴嘴) ϕ 17.5 30,45,52,62KM (PJ) ϕ 17.5 30,45,52,60km	1	
13	61J-09316-00-00	空氣調整螺絲 AIR ADJUST SCREW SET	1	
14	61G-09338-00-00	排洩口塞 DRAIN PLUG	1	
15	S-3500-04008-01	盤頭螺絲 PAN PHILLIPS BOLT	2	
16	S-4111-04073-31	彈簧墊圈 PLAIN WASHER	2	
17	S-3500-03006-01	盤頭螺絲 PAN PHILLIPS BOLT	1	
18	61J-09326-00-00	起動組塞 STARER PLUNGER	1	
19	S-1303-15014-00	O 型環 OIL RING	1	
20	61G-09328-00-00	節流螺絲組 THROTTLE SCREW SET	1	
21	61J-09330-00-00	針閥總成 NEEDLE VALVE SET	1	
22	61G-09335-00-00	浮筒銷 FLOAT PIN	1	
23	61G-09415-00-00	鋼調整螺帽 CABLE ADJUST NUT	1	
24	61G-09373-00-00	加溫器感應器 CHOKE NOZZIE	1	
25	61G-09333-00-00	浮筒 FLOAT CARB	1	
26	61G-09336-00-00	浮筒室蓋 FLOAT CHAMVER CAP	1	
27	51A-09314-10-00	化油器上蓋 45 ⁰ CARBURETOR HEAD 45 ⁰	1	

E21

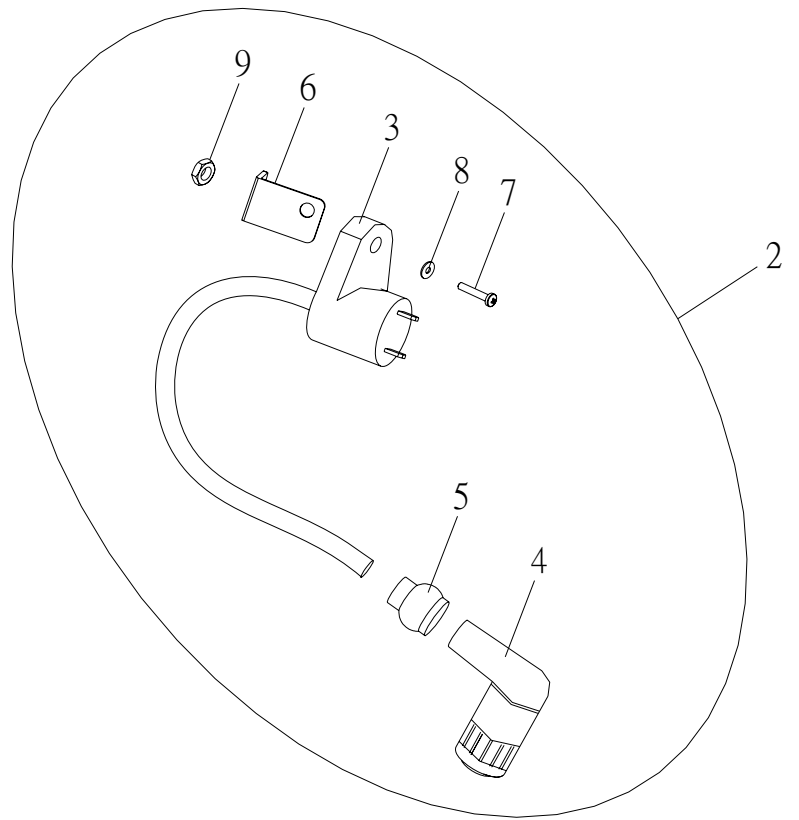
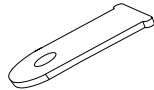
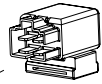
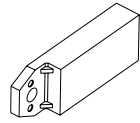
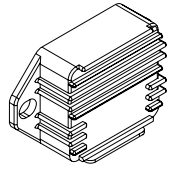
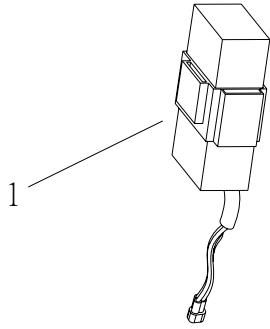
水箱總成 RADIATOR ASSY.

ENDURO-50



E21**水箱總成RADIATOR ASSY.**

ITEM	PARTS NO.	DESCRIPTION	REQD. NO.	
			ENDURO 50C.C	
1	51B-06500-00-00	水箱總成 RADIATOR ASSY.	1	(2007年版 51B)
2	51A-06512-10-00	熱水管 HOT WATER PIPE	1	
3	51A-06514-20-00	冷水管 COOLED WATER PIPE	1	
4	51A-06523-00-00	管夾 Φ25 CLAMP Φ25	3	
4-1	51A-06528-00-00	管夾 Φ28 CLAMP Φ28	1	
5	51B-06519-00-00	保護罩 PROTECTOR	1	(2007年版 51B)
6	51A-06522-00-00	通氣膠管 9X6X500 BREATHER TUBE 9X6X500	1	
7	51A-06569-00-00	水箱橡膠 GROMMET	3	
8	51A-06524-00-00	水箱蓋 RADIATOR CAP	1	
9	D06-25148-00-00	水箱夾螺帽 RADIATOR CLAMP NUT	1	97.01.14 新增



E22

電裝品ELECTRICAL

ITEM	PARTS NO.	DESCRIPTION	REQD. NO.	
			ENDURO 50C.C	
1	51A-23110-00-00	C.D.I. 電子點火總成 C.D.I COMP.	1	
	F06-23110-00-00	C.D.I. 電子點火總成(30KM) C.D.I COMP.(30KM)	1	
2	51A-23140-00-00	高壓線圈總成 IGN. COIL ASSY.	1	
3	51A-23141-00-00	點火線圈整體 IGN. COIL	1	
4	51A-23151-00-00	火星塞蓋總成 PLUG CAP ASSY.	1	
5	51A-23161-00-00	火星塞蓋套 PLUG CAP SEAL	1	
6	51A-23135-00-00	高壓線圈總成固定片 IGN. COIL ASSY. SETTING PLATE	1	
7	S-3500-05020-03	盤頭螺絲 M5X20 PAN HEAD SEREW M5X20	1	
8	S-4111-05083-03	彈簧華司 SPRING WASHER	1	
9	S-4001-05000-03	六角螺帽 M5x0.8 NUT M5x0.8	1	
10	51A-21310-00-00	調壓整流器組 REG. REC. COMP.	1	96.03.23 設變
11	61A-28310-00-00	起動繼電器總成 START RELAY COMP.	1	
12	51A-28335-00-00	繼電器固定片 RELAY SETTING PLATE	1	
13	64A-28170-10-00	溫控開關 SENSOR	1	95.02.24 設變基K

